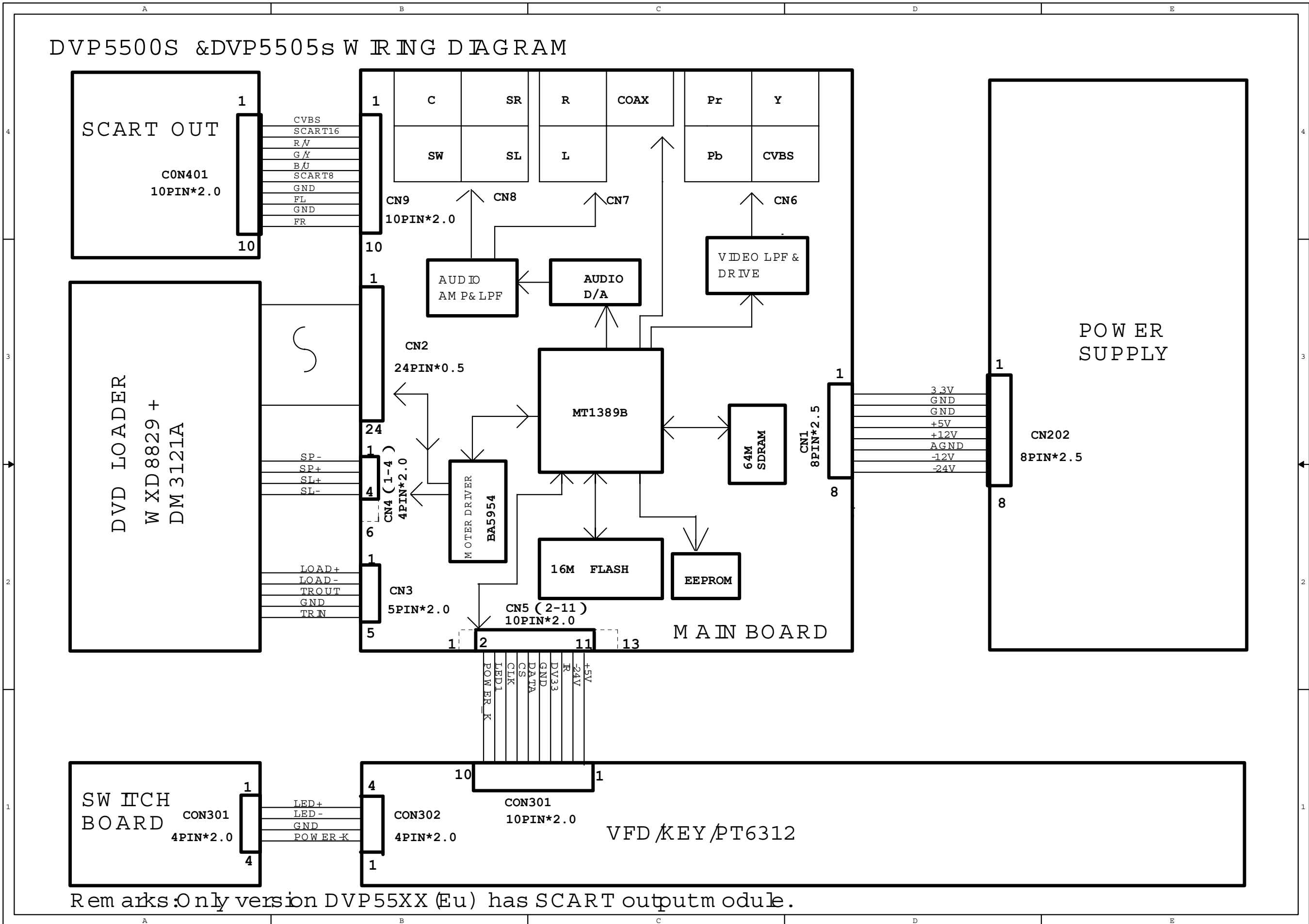
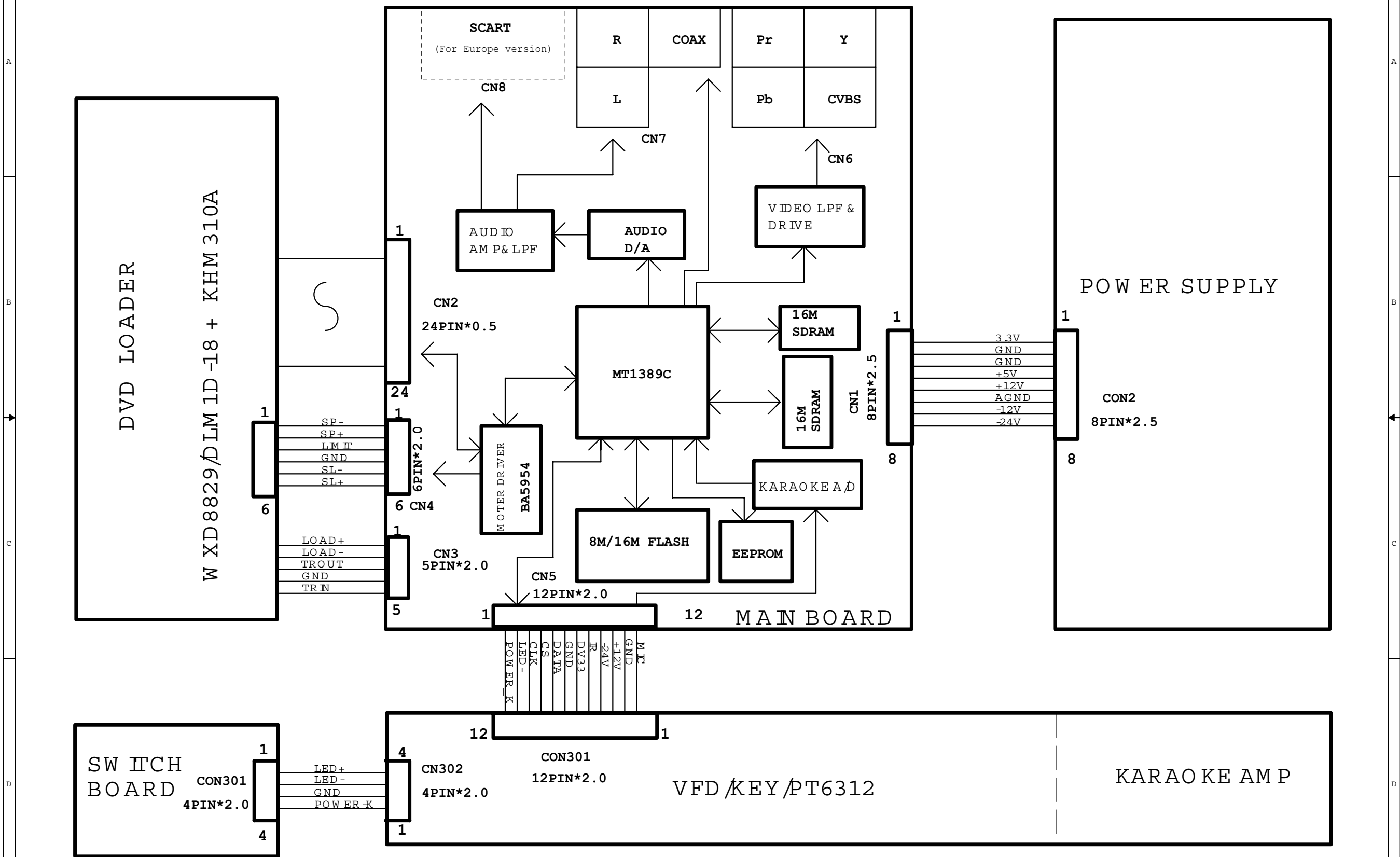


DVP5500S & DVP5505S WIRING DIAGRAM



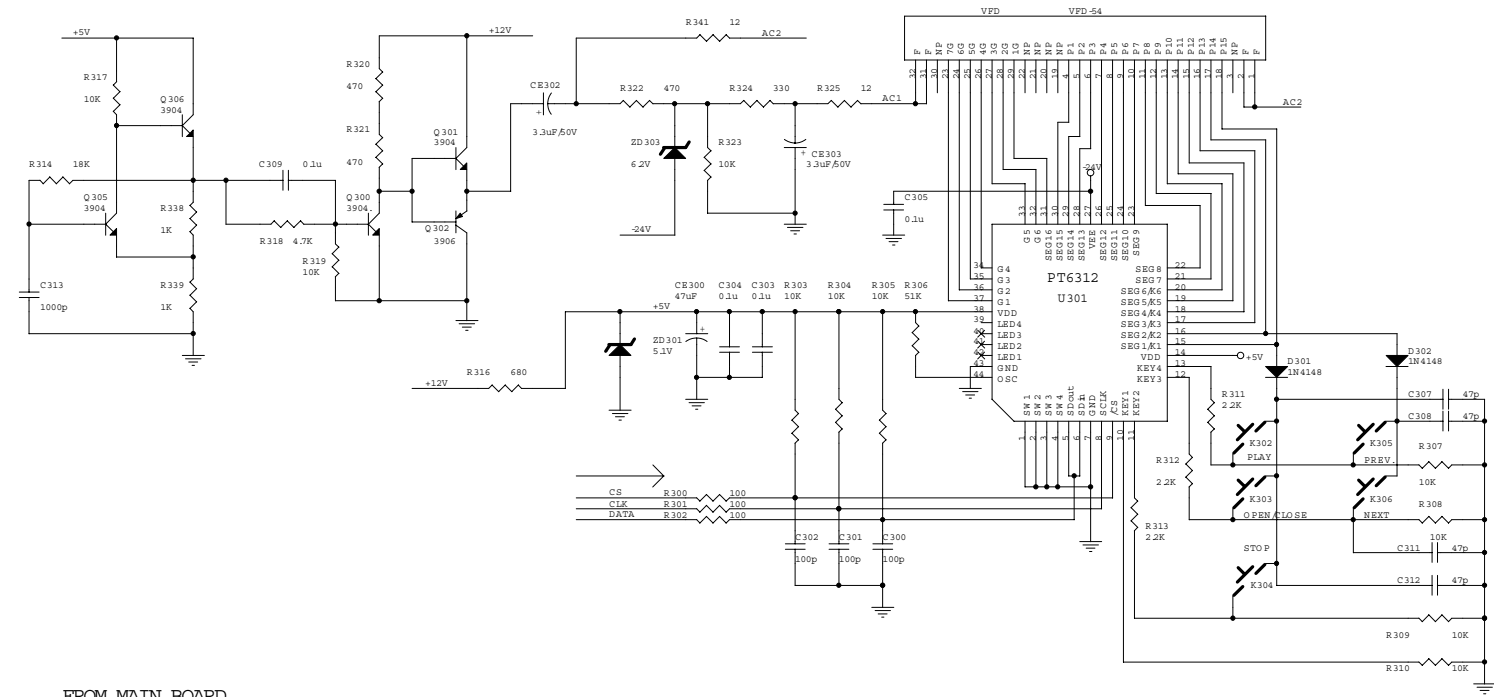
Remarks: Only version DVP55XX (Eu) has SCART output module.

DVP5100(K) WIRING & BLOCK DIAGRAM

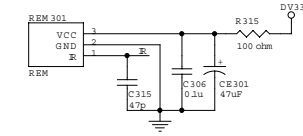
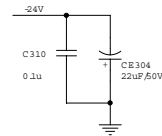
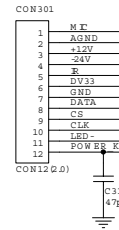


Remarks: DVP3010, DVP3005 version have no Karaoke output, Only version DVP3010, 3005 (EU) hold the SCART output module.

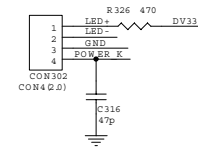
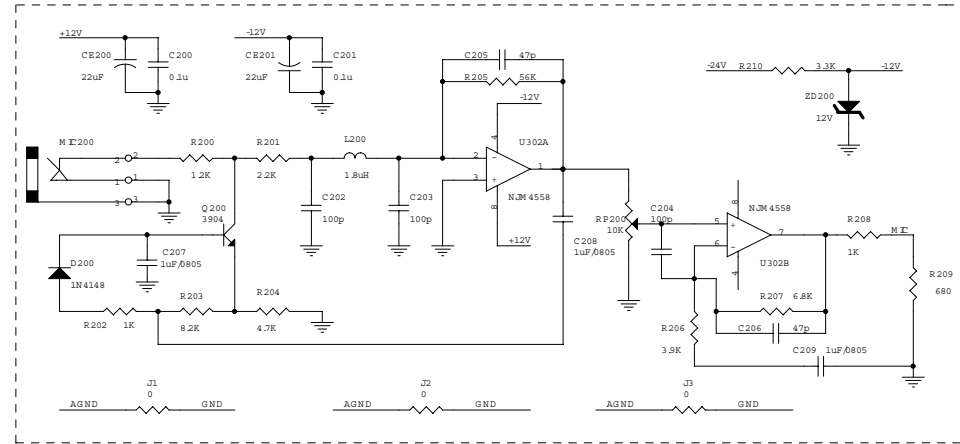
DVP5100K FRONT BOARD & OK BOARD



FROM MAIN BOARD

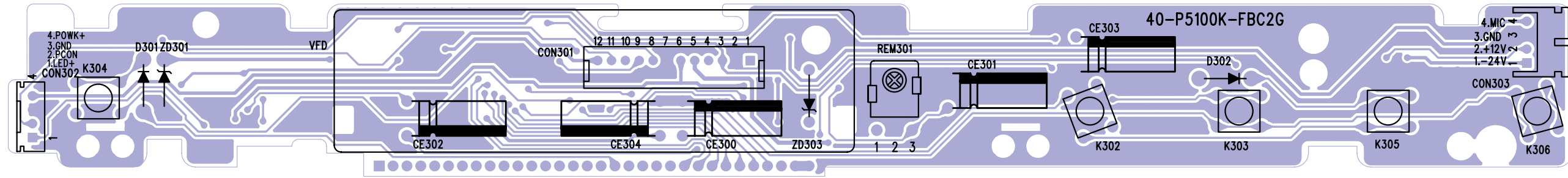


OK BOARD

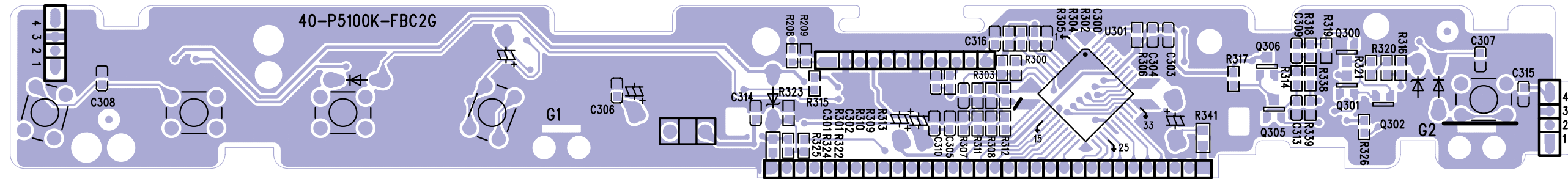


R200	E1	C305	B3
R201	E2	C306	D4
R202	E1	C307	B4
R203	E1	C308	B4
R204	E2	C309	B1
R205	E2	C310	D2
R206	E2	C311	C4
R207	E3	C312	C4
R208	E3	C313	B1
R209	E3	C314	D1
R210	E3	C315	D4
R300	C2	C316	E4
R301	C2	CE200	E1
R302	C2	CE201	E2
R303	B3	CE300	B2
R304	B3	CE301	D4
R305	B3	CE302	A2
R306	B3	CE303	A3
R307	B4	CE304	D2
R308	C4	J1	F1
R309	C4	J2	F2
R310	C4	J3	F2
R311	B3	L200	E2
R312	B3	Q200	E1
R313	C3	Q300	B2
R314	B1	Q301	B2
R315	D5	Q302	B2
R316	B2	Q305	B1
R317	A1	Q306	A1
R318	B1	D200	E1
R319	B2	D301	B4
R320	A2	D302	B4
R321	A2	ZD200	E3
R322	A2	ZD301	B2
R323	A2	ZD303	A2
R324	A2	U302A	E2
R325	A3	U302B	E3
R326	E4	RP200	E2
R338	B1	MIC200	E1
R339	B1	K302	B4
C200	E1	K303	C4
C201	E2	K304	C4
C202	E2	K305	B4
C203	E2	K306	C4
C204	E2	U301	B3
C205	E2	CON301	C1
C206	E3	CON302	E4
C207	E1	REM301	D4
C208	E2	VFD	A3
C209	F3		
C300	C3		
C301	C3		
C302	C3		
C303	B3		
C304	B2		

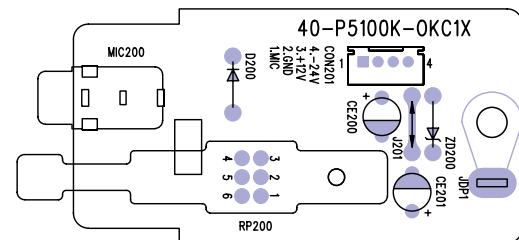
DVP5100 (K) FrontBoard Top side



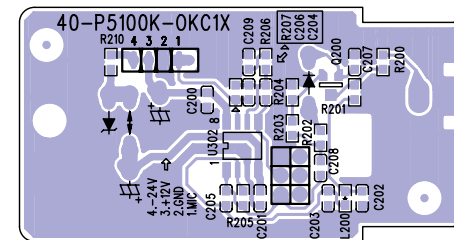
DVP5100 (K) FrontBoard Bottom side



DVP5100 (K) OK Board Top side



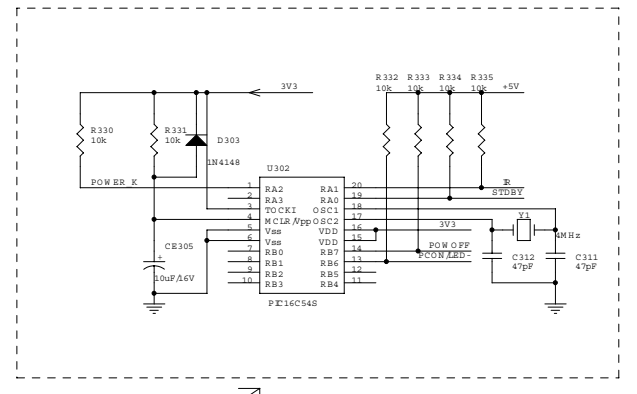
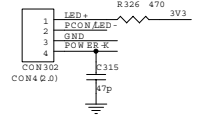
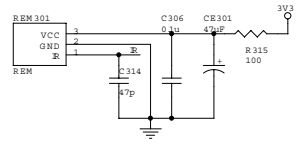
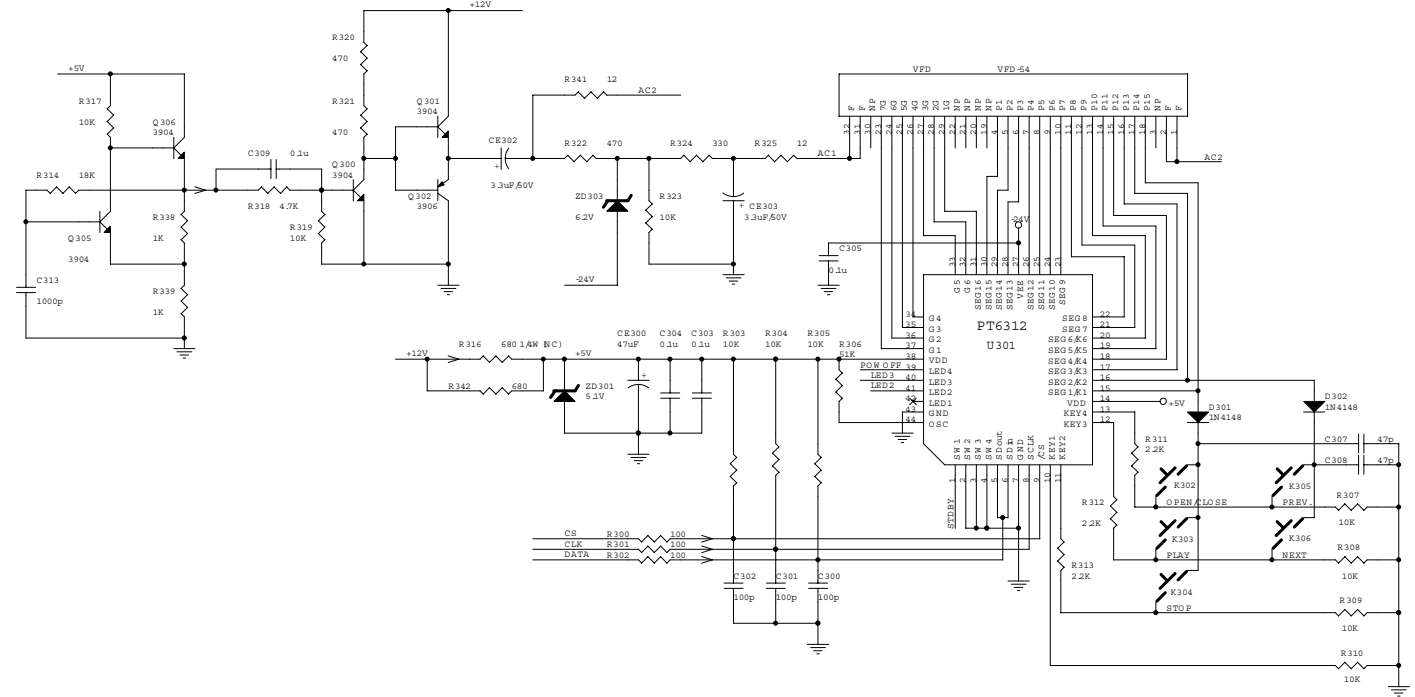
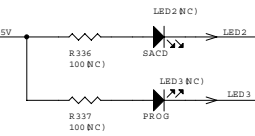
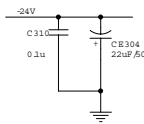
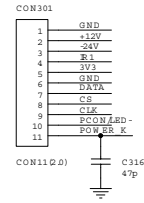
DVP5100 (K) OK Board Bottom side



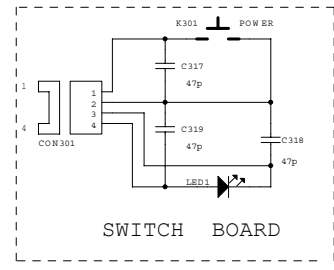
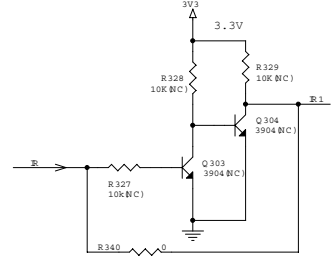
FRONT BOARD
For DVP5100, DVP5500S & DVP5505S

R300	C3	C304	C3
R301	C3	C305	B4
R302	C3	C306	D3
R303	C3	C307	C5
R304	C3	C308	C5
R305	C4	C309	B2
R306	C4	C310	C1
R307	C5	C311	E2
R308	C5	C312	E2
R309	D5	C313	B2
R310	D5	C314	E3
R311	C4	C315	E5
R312	C4	C316	B1
R313	C4	CE300	C3
R314	B2	CE301	D3
R315	E4	CE302	B3
R316	C3	CE303	B3
R317	B2	CE304	C1
R318	B2	CE305	E1
R319	B2	D301	C4
R320	B3	D302	C5
R321	B3	D303	E1
R322	B3	ZD301	C3
R323	B3	ZD303	B3
R324	B3	LED2	D1
R325	B3	LED3	D1
R326	E5	Q300	B3
R327	F3	Q301	B3
R328	F3	Q302	B3
R329	F3	Q303	E3
R330	E1	Q304	E3
R331	E1	Q305	B2
R332	E2	Q306	B2
R333	E2	K302	C4
R334	E2	K303	C4
R335	E2	K304	C4
R336	D1	K305	C5
R337	D1	K306	C5
R338	B2	U301	C4
R339	C2	U302	E1
R340	F3	Y1	E2
R341	B3	REM301	D3
R342	C3	CON301	B1
C300	C4	CON302	E5
C301	C3	CN301	F5
C302	C3	VFD	B4
C303	C3		

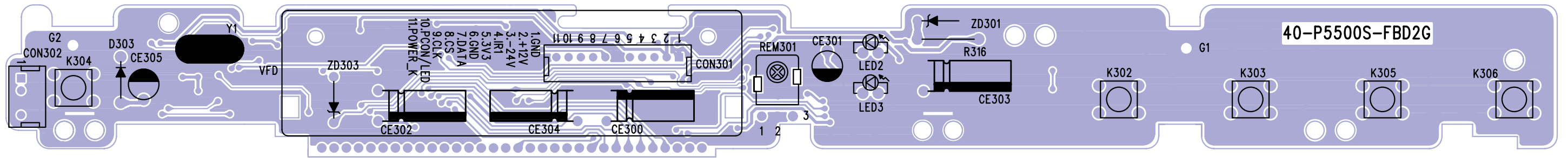
FROM MAIN BOARD



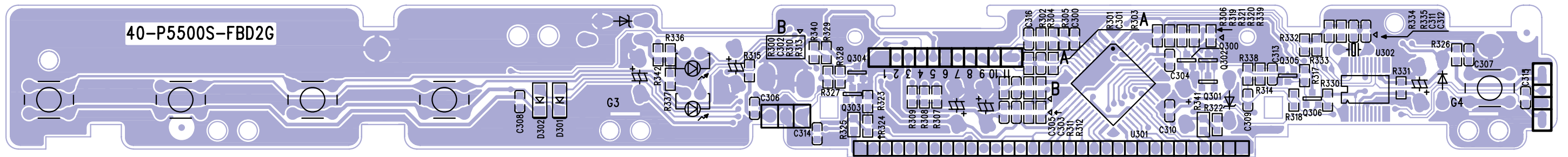
This inside of circle a piece is "OPEN"



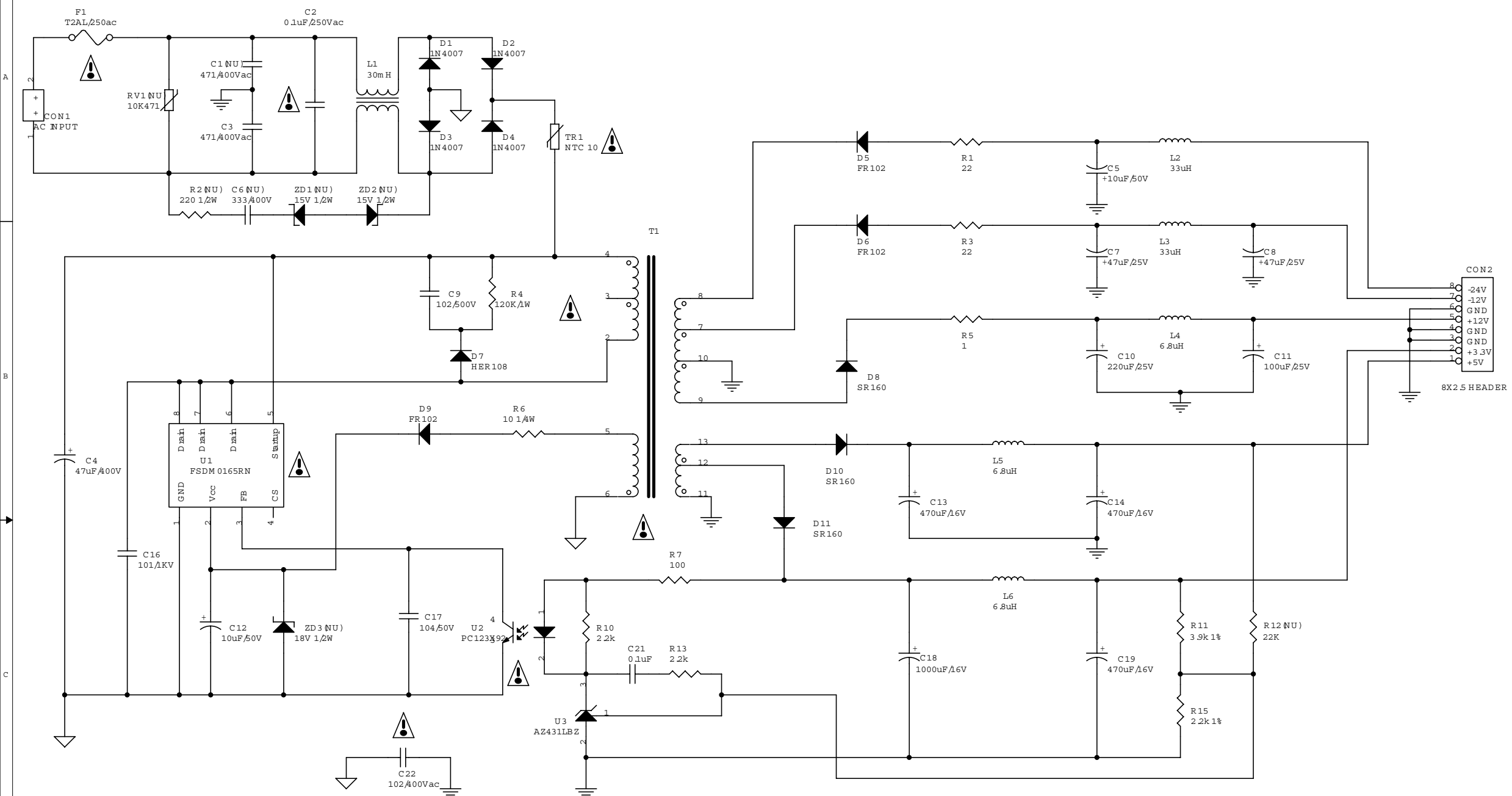
DVP5500 & DVP5505 FrontBoard Top side




DVP5500 & DVP5505 FrontBoard Bottom side



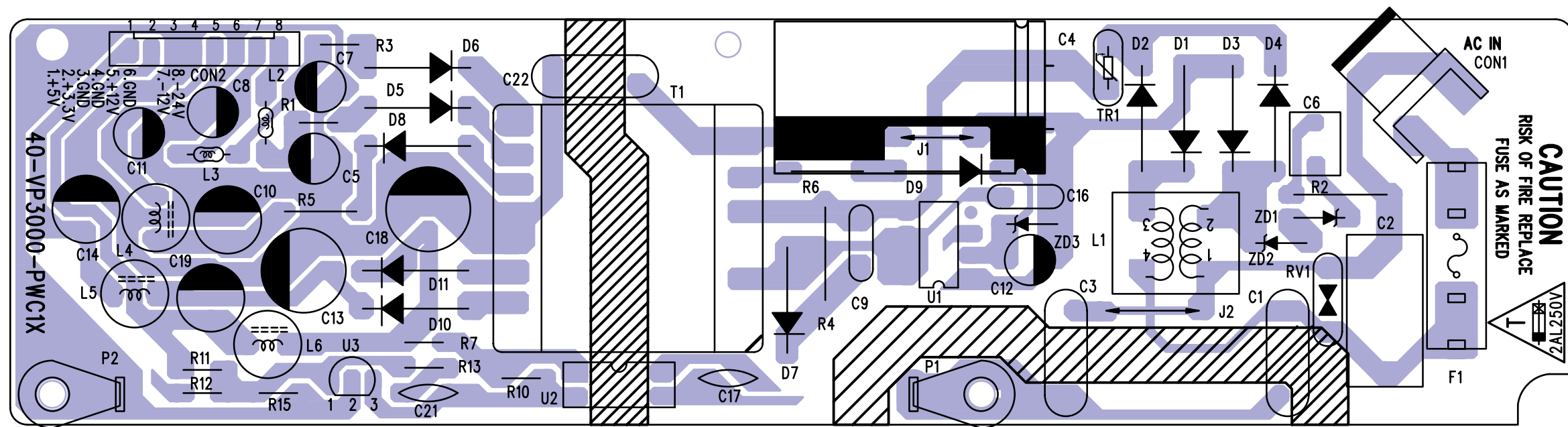
Powersupply for DVP5100 (K), DVP5500S & DVP5505S



C1	A1
C2	A1
C3	A1
C4	B1
C5	A4
C6	A1
C7	B4
C8	B4
C9	B2
C10	B4
C11	B4
C12	C1
C13	B3
C14	B4
C16	C1
C17	C2
C18	C3
C19	C4
C22	C2
C21	C2
CON1	A1
CON2	B5
D1	A2
D2	A2
D3	A2
D4	A2
D5	A3
D6	B3
D7	B2
D8	B3
D9	B2
D10	B3
D11	C3
F1	A1
L1	A2
L2	A4
L3	B4
L4	B4
L5	B3
L6	C3
R1	A3
R2	B1
R3	B3
R4	B2
R5	B3
R6	B2
R7	C2
R10	C2
R11	C4
R12	C4
R13	C2
R15	C4
R17	C2
RV1	A1
T1	B2
TR1	A2
U1	B1
U2	C2
U3	C2
ZD1	A1
ZD2	A2
ZD3	C1

*** CAUTION :**
 THE PARTS MARKED WITH  ARE IMPORTANT PARTS ON THE SAFETY.
 PLEASE USE THE PARTS HAVING THE DESIGNATED PARTS NUMBER WITHOUT FAIL.

" PowerBoard Top Side

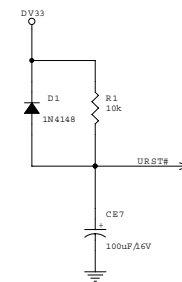
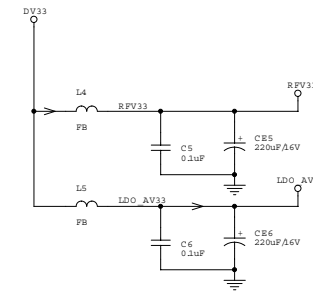
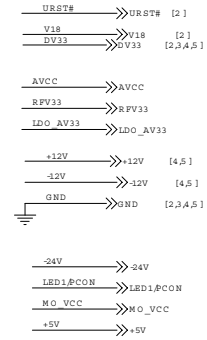
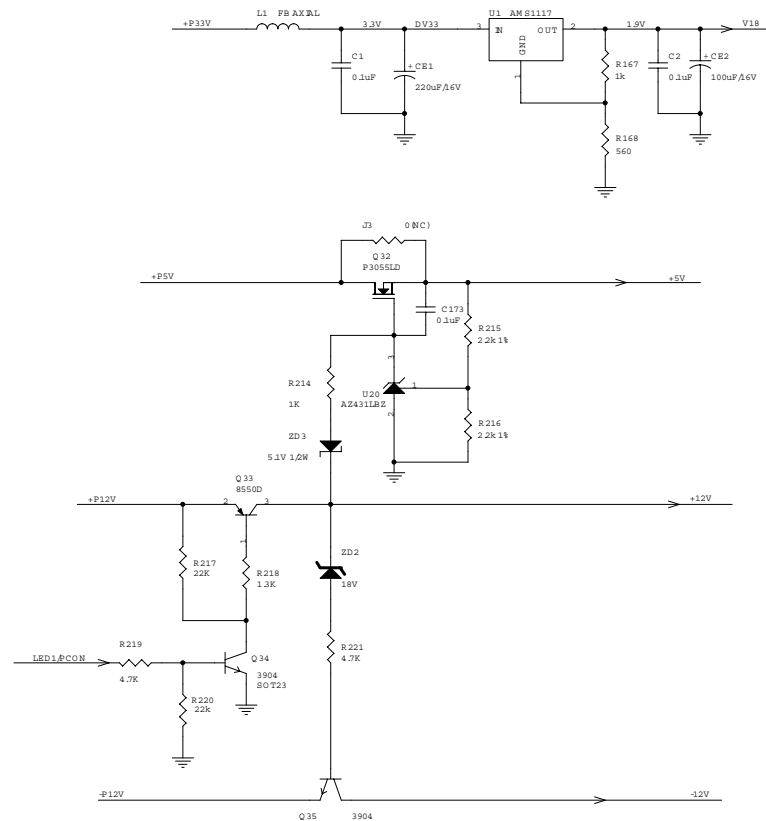
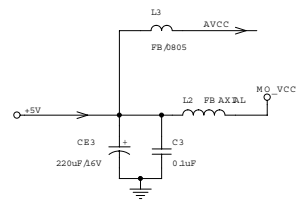
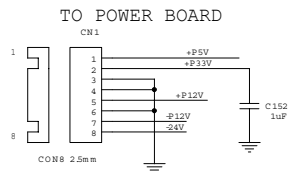


1, INDEX & POWER RESET

For DVP3010, DVP5100 & DVP5100K

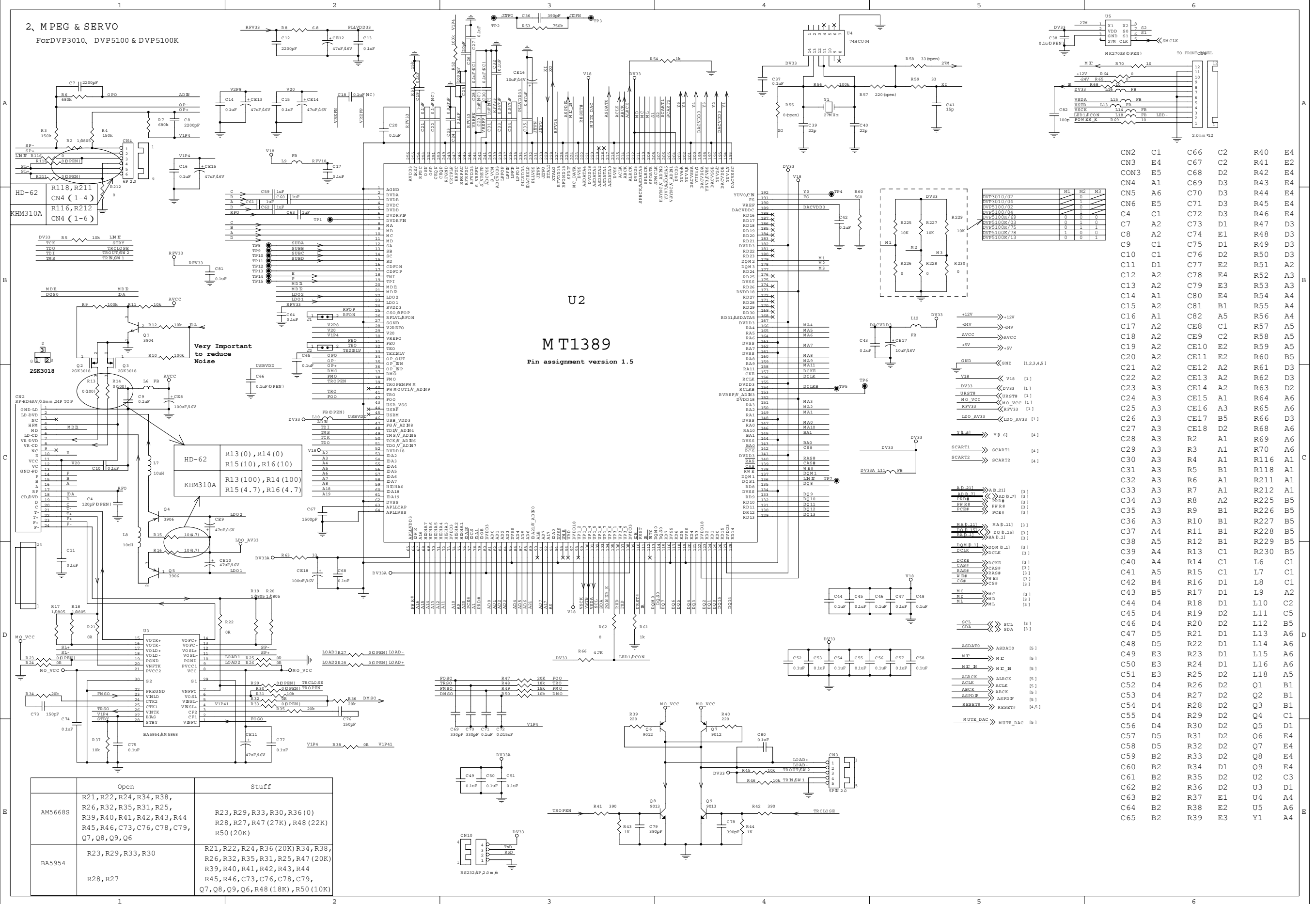
- 1 INDEX & POWER, RESET
- 2 RF, SERVO & MPEG - MT1389C&MT1389EE
- 3 MEMORY - SDRAM, FLASH/EEPROM, VIDEO OUT
- 4 AUDIO DAC & AUDIO OUT
- 5 FRONT BOARD
- 6 POWER SUPPLY

NAME	TYPE	DEVICE
VCC	Digital 5V	SUPPLY
DV33	Digital 3.3V	MT1389E
RFV33	Servo 3.3V	MT1389E
AVCC	RF 5V	PICKUP HEADER
V18	Digital 1.8V	MT1389E
+12V	Audio +12V	OP AMP.
-12V	Audio -12V	OP AMP.
+5V	Servo 5V	Motor drive
-24V	VFD	VFD Drive



- CN1 D1
- R1 E5
- R167 C3
- R168 C3
- R169 D3
- R214 D3
- R215 D3
- R216 D3
- R217 E3
- R218 E3
- R219 E2
- R220 E3
- R221 E3
- ZD2 E3
- ZD3 E3
- D1 E5
- C1 C3
- C2 C4
- C3 E1
- C5 D5
- C6 D5
- C152 C2
- C173 D3
- CE1 C3
- CE2 C4
- CE3 E1
- CE5 C5
- CE6 D5
- CE7 E5
- L1 C3
- L2 E1
- L3 E1
- L4 C5
- L5 D5
- Q32 D3
- Q33 E3
- Q34 E3
- Q35 F3
- U1 C3
- U20 D3

2, MPEG & SERVO
For DVP3010, DVP5100 & DVP5100K

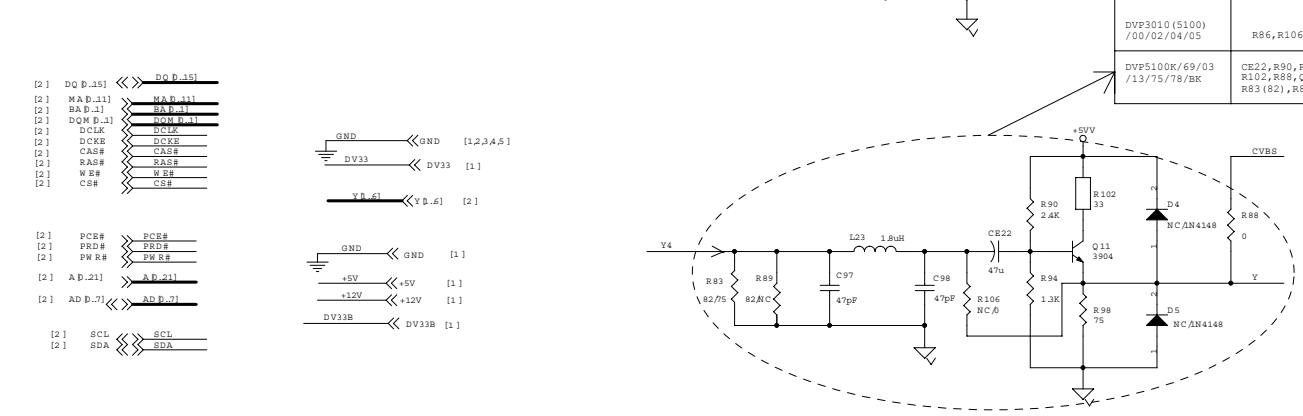
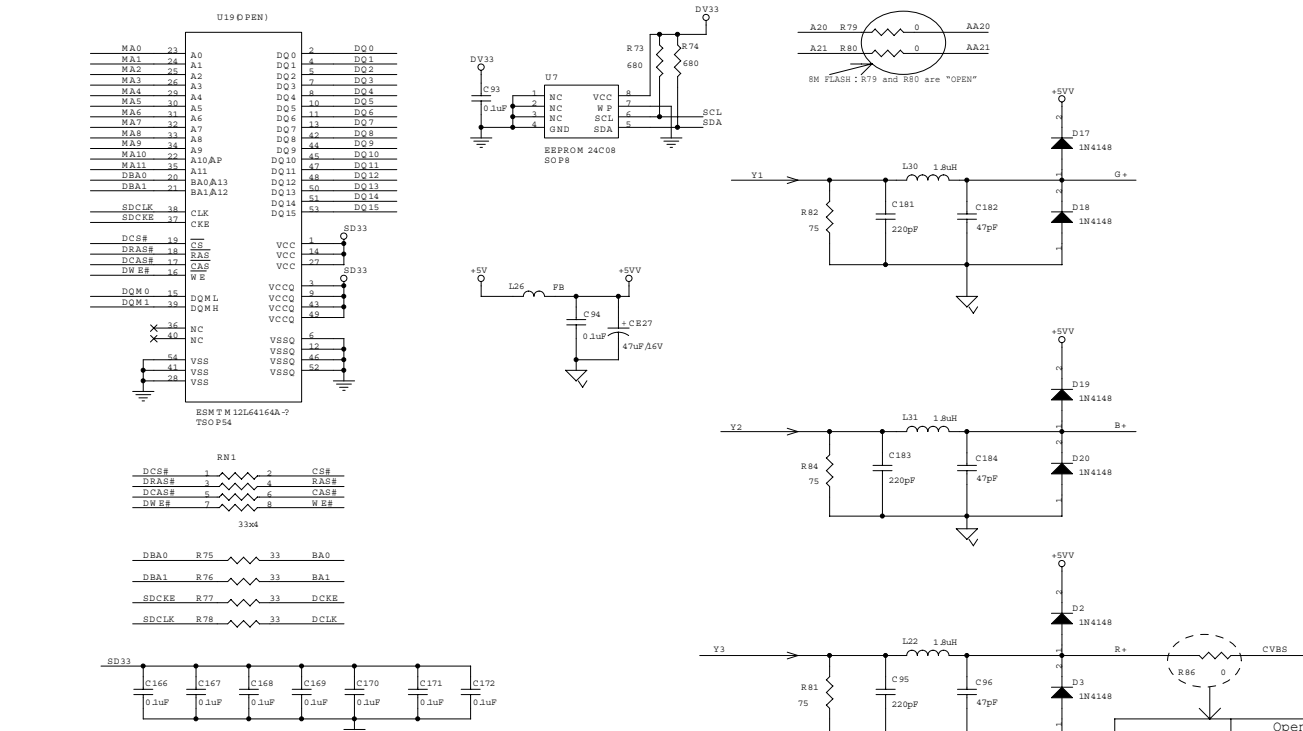
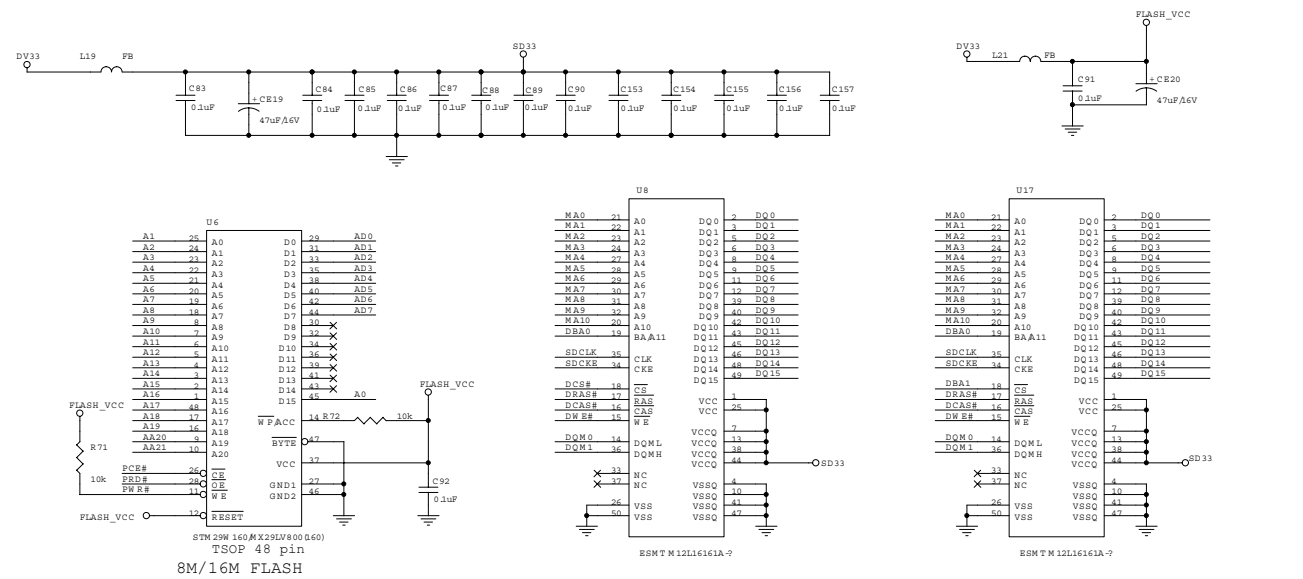


U2
MT1389
Pin assignment version 1.5

CN2	C1	C66	C2	R40	E4
CN3	E4	C67	C2	R41	E2
CON3	E5	C68	D2	R42	E4
CN4	A1	C69	D3	R43	E4
CN5	A6	C70	D3	R44	E4
CN6	E5	C71	D3	R45	E4
C4	C1	C72	D3	R46	E4
C7	A2	C73	D1	R47	D3
C8	A2	C74	E1	R48	D3
C9	C1	C75	D1	R49	D3
C10	C1	C76	D2	R50	D3
C11	D1	C77	E2	R51	A2
C12	A2	C78	E4	R52	A3
C13	A2	C79	E3	R53	A3
C14	A1	C80	E4	R54	A4
C15	A2	C81	B1	R55	A4
C16	A1	C82	A5	R56	A4
C17	A2	C83	C1	R57	A5
C18	A2	C84	C2	R58	A5
C19	A2	C85	E2	R59	A5
C20	A2	C86	E1	R60	B5
C21	A2	C87	A2	R61	D3
C22	A2	C88	A2	R62	D3
C23	A3	C89	A1	R63	D2
C24	A3	C90	A2	R64	A6
C25	A3	C91	A3	R65	A6
C26	A3	C92	B5	R66	D3
C27	A3	C93	D2	R68	A6
C28	A3	R2	A1	R69	A6
C29	A3	R3	A1	R70	A6
C30	A3	R4	A1	R116	A1
C31	A3	R5	B1	R118	A1
C32	A3	R6	A1	R211	A1
C33	A3	R7	A1	R212	A1
C34	A3	R8	A2	R225	B5
C35	A3	R9	B1	R226	B5
C36	A3	R10	B1	R227	B5
C37	A4	R11	B1	R228	B5
C38	A5	R12	B1	R229	B5
C39	A4	R13	C1	R230	B5
C40	A4	R14	C1	L6	B5
C41	A5	R15	C1	L7	C1
C42	B4	R16	D1	L8	C1
C43	B5	R17	D1	L9	A2
C44	D4	R18	D1	L10	C2
C45	D4	R19	D2	L11	C5
C46	D4	R20	D2	L12	B5
C47	D5	R21	D1	L13	A6
C48	D5	R22	D1	L14	A6
C49	E3	R23	D1	L15	A6
C50	E3	R24	D1	L16	A6
C51	E3	R25	D2	L18	A5
C52	D4	R26	D2	Q1	B1
C53	D4	R27	D2	Q2	B1
C54	D4	R28	D2	Q3	B1
C55	D4	R29	D2	Q4	C1
C56	D4	R30	D2	Q5	D1
C57	D5	R31	D2	Q6	E4
C58	D5	R32	D2	Q7	E4
C59	B2	R33	D2	Q8	E4
C60	B2	R34	D1	Q9	E4
C61	B2	R35	D2	U2	C3
C62	B2	R36	D2	U3	D1
C63	B2	R37	E1	U4	A4
C64	B2	R38	E2	U5	A6
C65	B2	R39	E3	Y1	A4

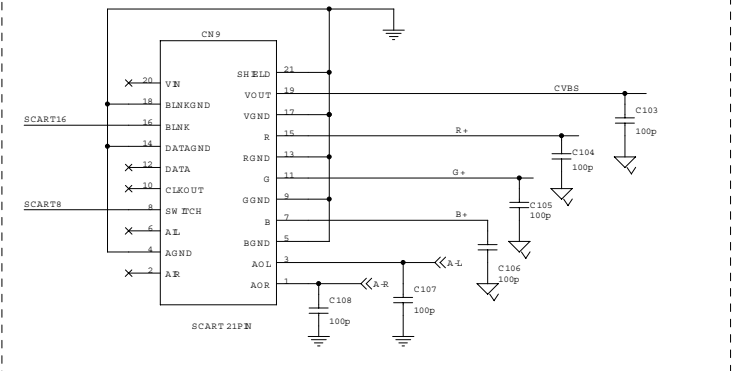
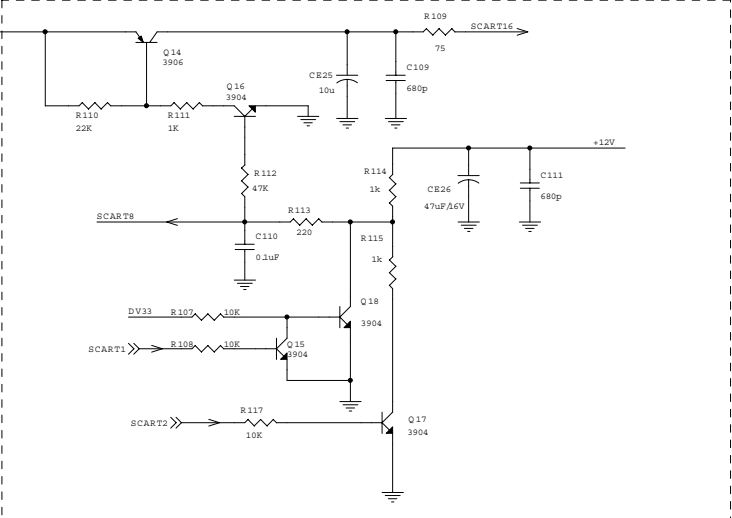
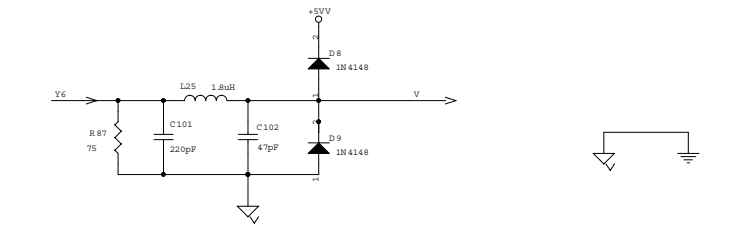
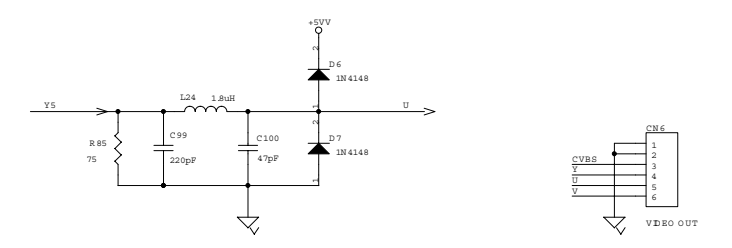
	Open	Stuff
AM5668S	R21, R22, R24, R34, R38, R26, R32, R35, R31, R25, R39, R40, R41, R42, R43, R44 R45, R46, C73, C76, C78, C79, Q7, Q8, Q9, Q6	R23, R29, R33, R30, R36 (0) R28, R27, R47 (27K), R48 (22K) R50 (20K)
BA5954	R23, R29, R33, R30 R28, R27	R21, R22, R24, R36 (20K) R34, R38, R26, R32, R35, R31, R25, R47 (20K) R39, R40, R41, R42, R43, R44 R45, R46, C73, C76, C78, C79, Q7, Q8, Q9, Q6, R48 (18K), R50 (10K)

3. SDRAM FLASH, VIDE FILTER & SCART OUTPUT
For DVP3010, DVP5100 & DVP5100K



[2] DO B.151	<<>	DQ B.151	
[2] MA D.111	<<>	MA D.111	
[2] BA D.111	<<>	BA D.111	
[2] DQM B.111	<<>	DQM B.111	
[2] D16	<<>	D16	
[2] DCKE	<<>	DCKE	
[2] CAS#	<<>	CAS#	
[2] RAS#	<<>	RAS#	
[2] WE#	<<>	WE#	
[2] CS#	<<>	CS#	
[2] GND	<<>	GND	[1,2,3,4,5]
[2] DV33	<<>	DV33	[1]
[2] Y8.61	<<>	Y8.61	[2]
[2] GND	<<>	GND	[1]
[2] +5V	<<>	+5V	[1]
[2] +12V	<<>	+12V	[1]
[2] DV33B	<<>	DV33B	[1]
[2] SCL	<<>	SCL	
[2] SDA	<<>	SDA	

	Open	Stuff
DVP3010 (5100) /00/02/04/05	R86, R106, D4, D5	CE22, R90, R94, R98, R102, R88, Q11, R83 (82), R89 (82)
DVP5100K/69/03 /13/75/78/BK	CE22, R90, R94, R98, R102, R88, Q11, R83 (82), R89 (82)	R106, R83 (75), D4, D5



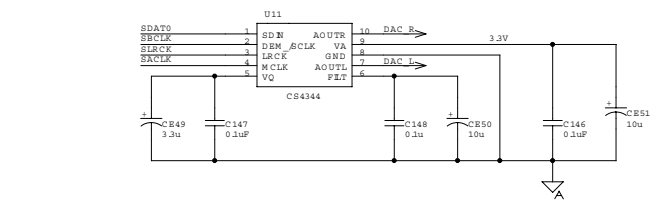
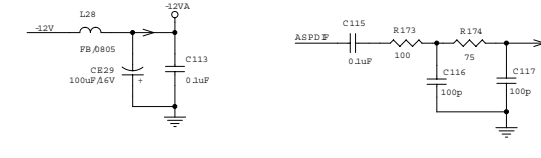
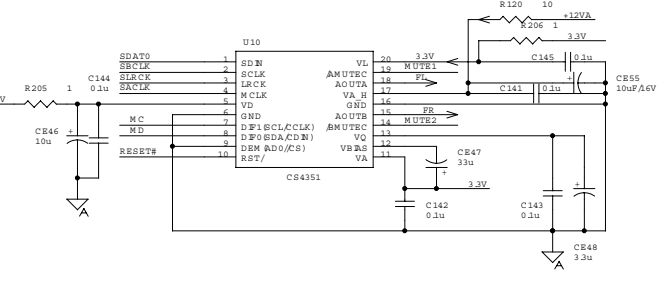
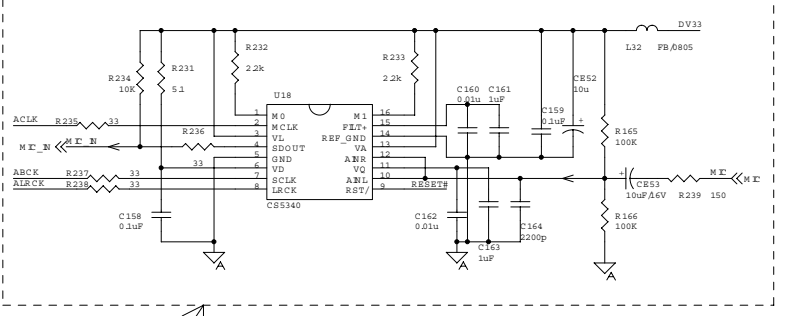
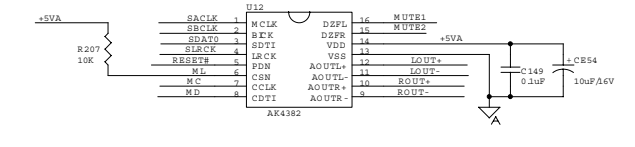
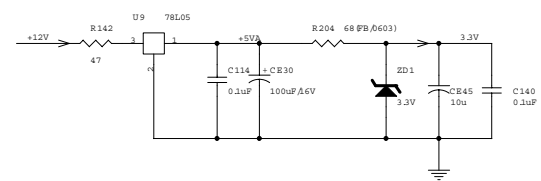
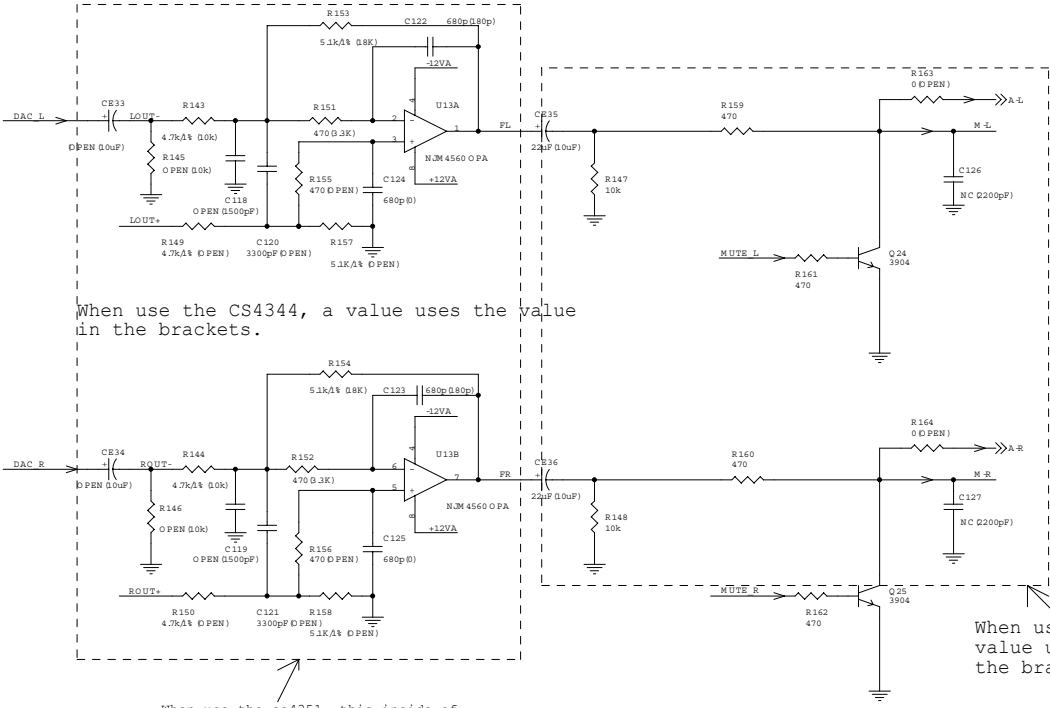
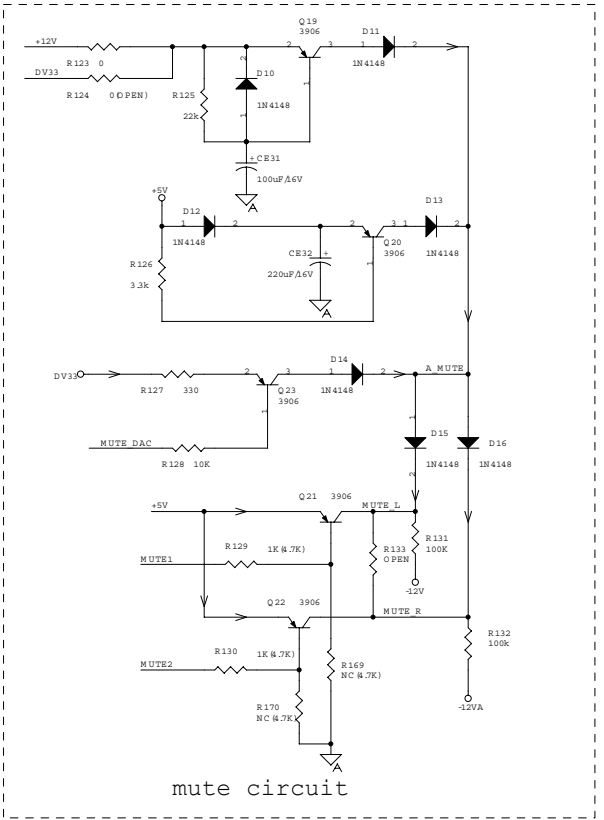
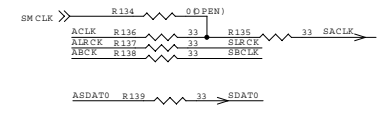
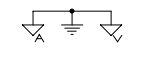
SCART1	SCART2	SCART8	SCART16
1	0	12V (9.5V -12V 4.3)	3V (RGB)
1	1	6V (5V -8V 16.9)	3V (RGB)
0	0	0V TV M ODE	0V (CVBS)

When have no SCART, this inside of circle a piece is "OPEN"

C83	A1	D2	D3
C84	A1	D3	D3
C85	A2	D4	E3
C86	A2	D5	E3
C87	A2	D6	A5
C88	A2	D7	A5
C89	A2	D8	B5
C90	A2	D9	B5
C91	A3	D17	C3
C92	B2	D18	C3
C93	C2	D19	D3
C94	C2	D20	D3
C95	D3	Q11	E3
C96	D3	Q14	B4
C97	E3	Q15	C5
C98	E3	Q16	C5
C99	A4	Q17	C5
C100	A4	Q18	C5
C101	A4	R71	B1
C102	A4	R72	B2
C103	D5	R73	C3
C104	D5	R74	C3
C105	D5	R75	D1
C106	D5	R76	D1
C107	E5	R77	D1
C108	E5	R78	D1
C109	C5	R79	B3
C110	C5	R80	B3
C111	C5	R81	D2
C153	A2	R82	C2
C154	A2	R83	E2
C155	A2	R84	D2
C156	A2	R85	A4
C157	A3	R87	B4
C166	D1	R89	E2
C167	D1	R90	E3
C168	D1	R94	C3
C169	D1	R98	E3
C170	D1	R102	E3
C171	D2	R109	C5
C172	D2	R110	C4
C181	C3	R111	C4
C182	C3	R112	C5
C183	D3	R113	C5
C184	D3	R114	C5
CE19	A1	R115	C5
CE20	A3	R117	C4
CE22	E3	RN1	D1
CE25	C5	CN6	A5
CE26	C5	CN7	D5
CE27	C2	U6	A1
L19	A1	U7	C2
L20	A3	U8	B2
L21	A3	U17	B3
L22	D2	U19	C1
L23	E2		
L24	A4		
L25	B4		
L26	C2		
L30	C3		
L31	D3		

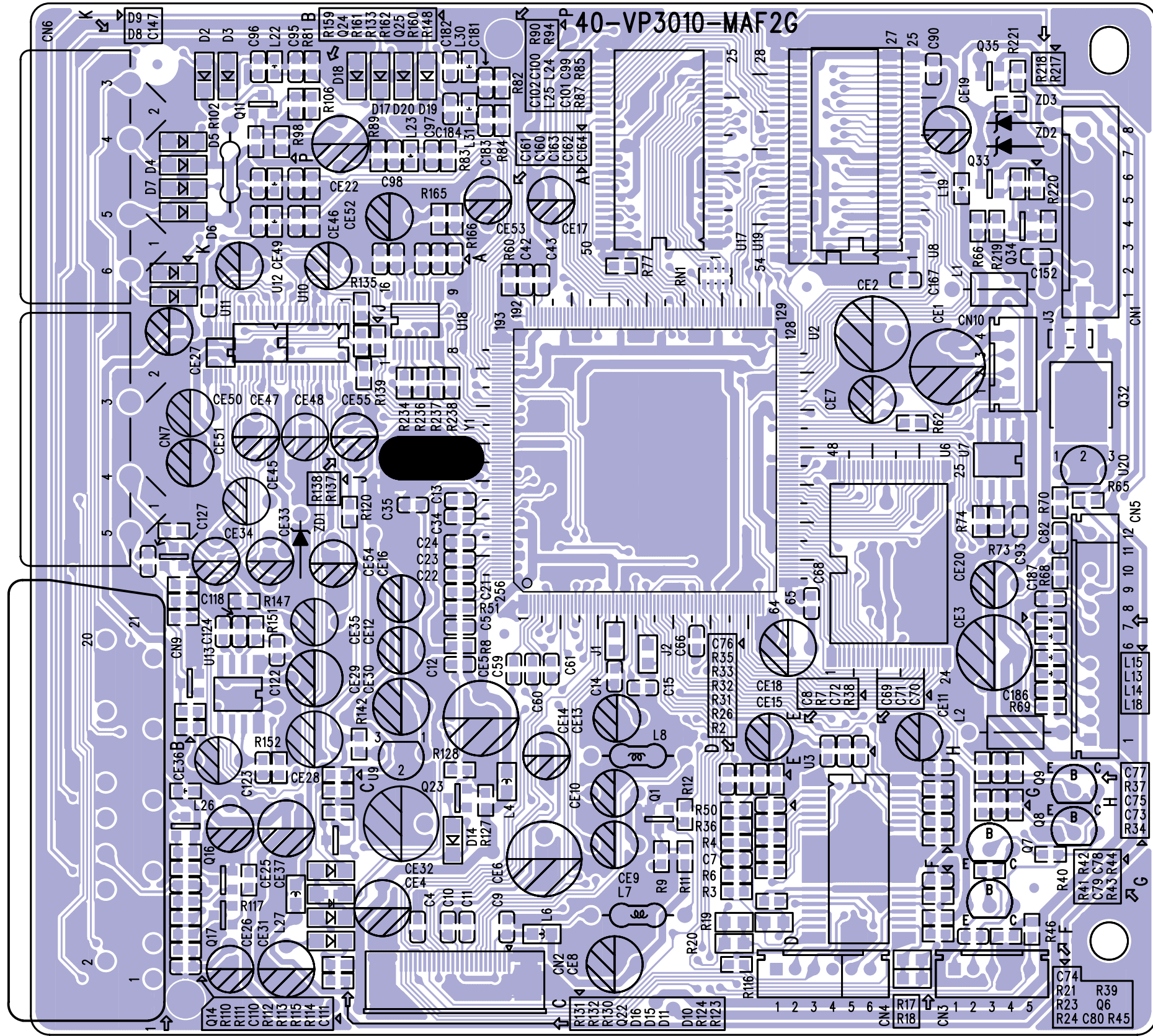
4. AUDD FILTER & OUT PUT
For DVP3010, DVP5100 & DVP5100K

- (2) MD >> MD
- (2) ML >> ML
- (2) MC >> MC
- (1) -12V >> -12V
- (1) +12V >> +12V
- (1) DV33 >> DV33
- (1) +5V >> +5V
- (1,2,3,5) GND >> GND
- (2) ASDATO >> ASDATO
- (2) ASPDF >> ASPDF
- (2) ACCK >> ACCK
- (2) ARCK >> ARCK
- (2) ALRCK >> ALRCK
- (2) MUTE_DAC >> MUTE_DAC
- (2) RESET# >> RESET#
- (4) A-L >> A-L
- (4) A-R >> A-R

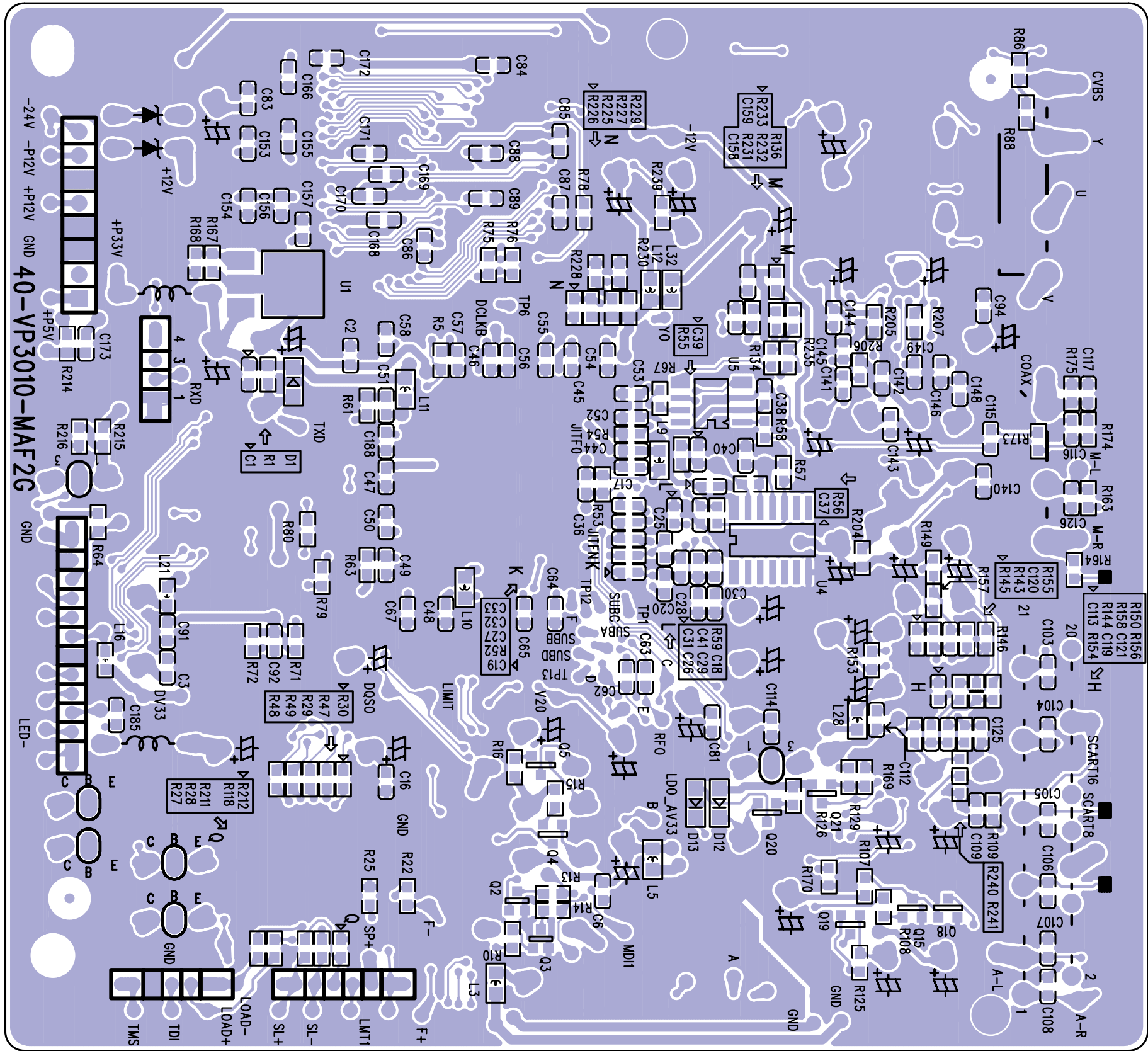


R136	C1	C114	D1	CE49	E2
R137	C1	C115	E1	CE50	E3
R138	C1	C116	E2	CE51	E3
R139	C1	C117	E2	CE52	C5
R142	C1	C118	A4	CE53	C5
R143	A4	C119	B4	CE54	C3
R144	B4	C120	A4	CE55	D3
R145	A4	C121	B4	Q19	A3
R146	B4	C122	A4	Q20	A3
R147	A5	C123	B4	Q21	B3
R148	B5	C124	A4	Q22	B3
R149	A4	C125	B4	Q23	B3
R150	B4	C126	A6	Q24	A5
R151	A4	C127	B6	Q25	B5
R152	B4	C140	D2	D10	A3
R153	A4	C141	D3	D11	A3
R154	B4	C142	D3	D12	A2
R155	A4	C143	D3	D13	A3
R156	B4	C144	D2	D14	B3
R157	A4	C145	D3	D15	B3
R158	B4	C146	E3	D16	B3
R159	A5	C147	E3	U18	C4
R160	B5	C148	E3	U9	C1
R161	A5	C149	C3	U10	D3
R162	B5	C158	D4	U11	E3
R163	A6	C159	C5	U12	C3
R164	B6	C160	C5	U13	A4
R165	C5	C161	C5	U13	A4
R166	D5	C162	C5	U13	A4
R169	B3	C163	C5	U13	A4
R170	C3	C164	C5	U13	A4
R173	E1	L27	D1	U13	A4
R174	E2	L28	E1	U13	A4
R175	E2	L30	C1	U13	A4

DVP5100 (K) Mpeg Board Top side



DVP5100 (K) Mpeg Board Bottom side



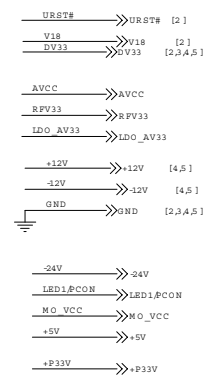
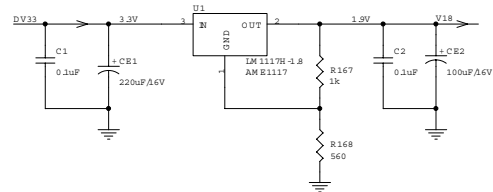
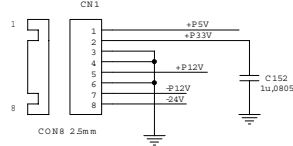
1、INDEX & POWER RESET

For DVP5500S & DVP5505S

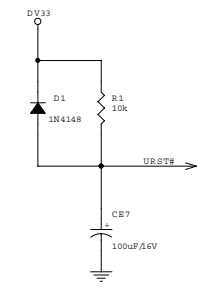
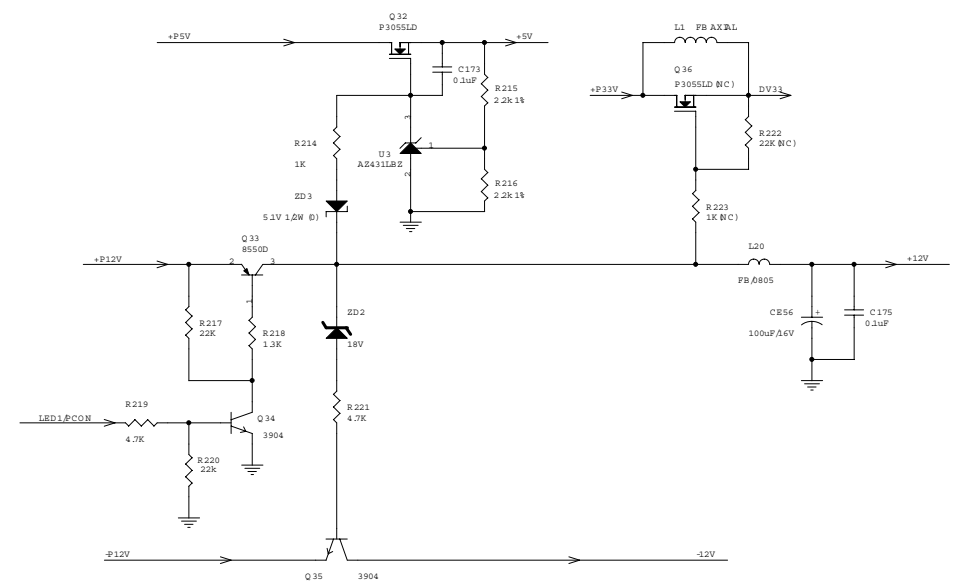
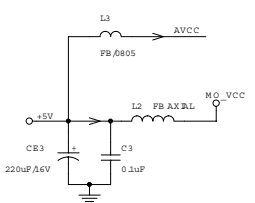
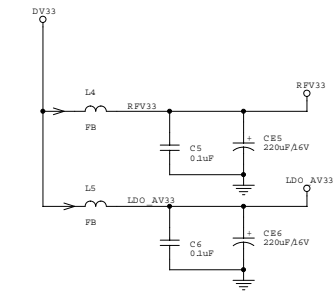
- 1 INDEX & POWER, RESET
- 2 RF, SERVO & MPEG - MT1389C&MT1389EE
- 3 MEMORY - SDRAM, FLASH/EEPROM, VIDEO OUT
- 4 AUDIO DAC & AUDIO OUT

NAME	TYPE	DEVICE
DV33	Digital 3.3V	MT1389E
RFV33	Servo 3.3V	MT1389E
LDO_AV33	Laser 3.3V	PICKUP HEADER
AVCC	RF 5V	PICKUP HEADER
V18	Digital 1.8V	MT1389E
+12VA	Audio +12V	OP AMP.
-12VA	Audio -12V	OP AMP.
MO_VCC	Servo 5V	Motor drive
+5V	MUTE 5V	MUTE drive
+5VA	Audio D/A 5V	Audio D/A SUPPLY
-24V	VFD	VFD Drive

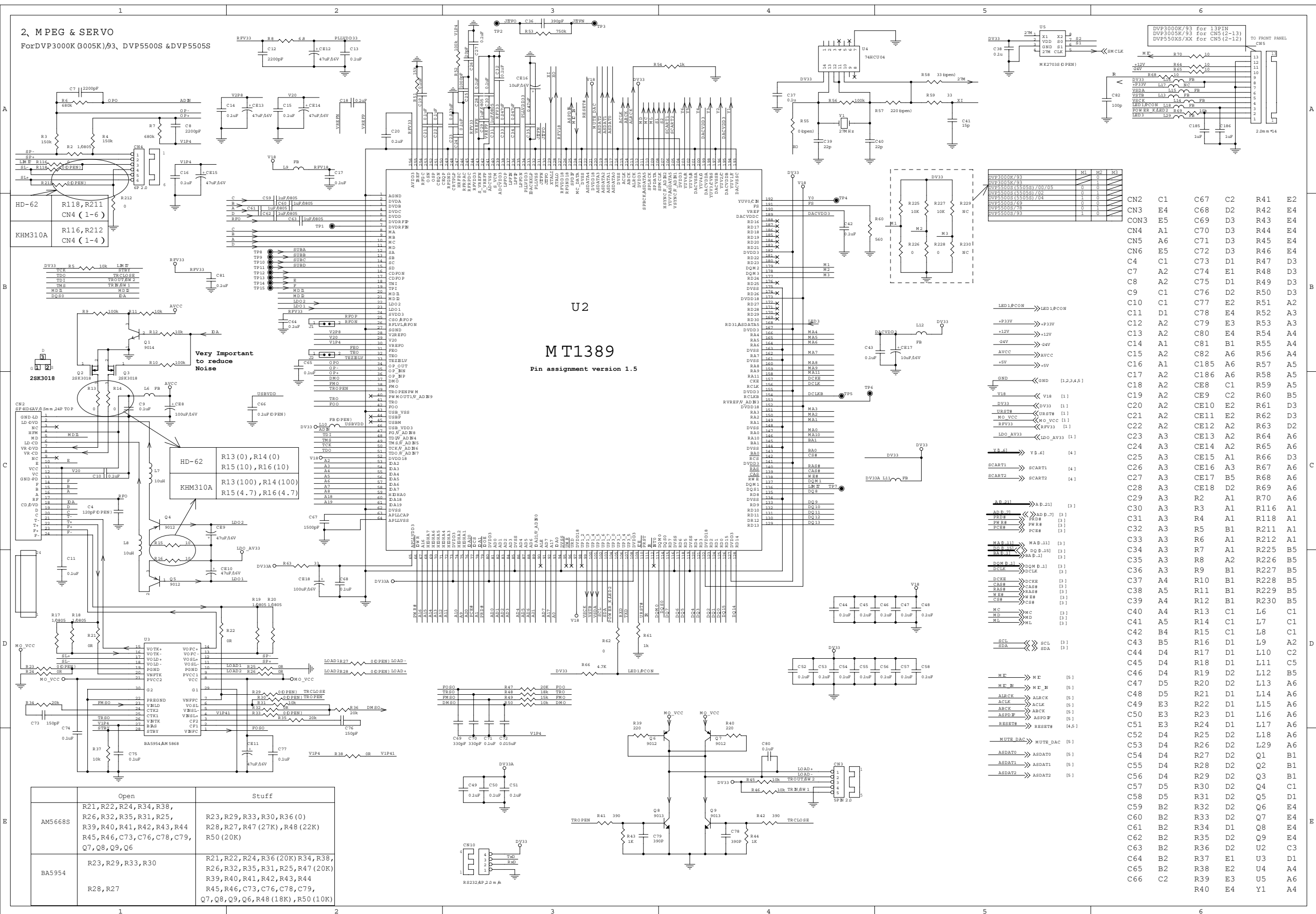
TO POWER BOARD



- R1 E5
- R167 C3
- R168 D3
- R214 D3
- R215 D3
- R216 D3
- R217 E3
- R218 E3
- R219 E2
- R220 E3
- R221 E3
- R222 D4
- R223 D4
- ZD2 E3
- ZD3 E3
- D1 E5
- CN1 D1
- C1 C3
- C2 C4
- C3 E1
- C5 D5
- C6 D5
- C152 C2
- C173 D3
- C175 E4
- CE1 C3
- CE2 C4
- CE3 E1
- CE5 D5
- CE6 D5
- CE7 E5
- CE56 E4
- L1 D4
- L2 E1
- L3 E1
- L4 C5
- L5 D5
- L20 E4
- Q32 D3
- Q33 E3
- Q34 E3
- Q35 F3
- Q36 D3
- U1 C3
- U20 D3



2、MPEG & SERVO
For DVP3000K (G005K)/93, DVP5500S & DVP5505S



U2
MT1389
Pin assignment version 1.5

DVP3000K/93	N1	N2	N3
DVP3000K/93	0	0	0
DVP5500S/93	0	0	0
DVP5505S/93	0	0	0
DVP5500S/93	1	0	0
DVP5505S/93	0	1	0
DVP5500S/93	1	1	0

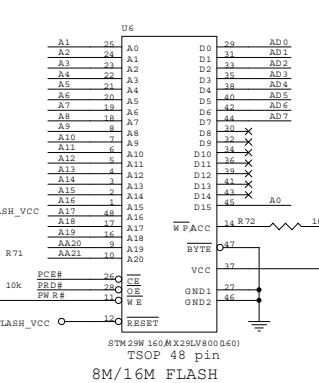
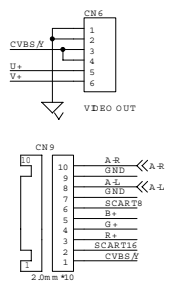
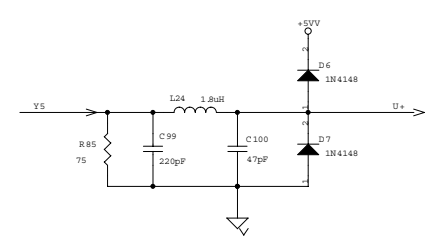
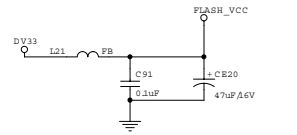
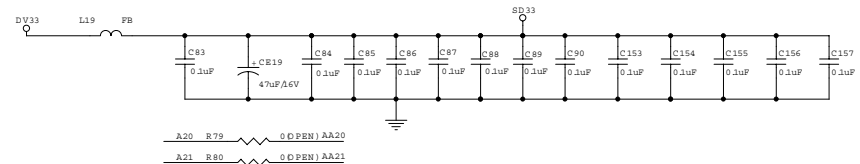
CN2	C1	C67	C2	R41	E2
CN3	E4	C68	D2	R42	E4
CON3	E5	C69	D3	R43	E4
CN4	A1	C70	D3	R44	E4
CN5	A6	C71	D3	R45	E4
CN6	E5	C72	D3	R46	E4
C7	A1	C73	D1	R47	D3
C4	A2	C74	E1	R48	D3
C8	A2	C75	D1	R49	D3
C9	C1	C76	D2	R50	D3
C10	C1	C77	E2	R51	A2
C11	D1	C78	E4	R52	A3
C12	A2	C79	E3	R53	A3
C13	A2	C80	E4	R54	A4
C14	A1	C81	B1	R55	A4
C15	A2	C82	A6	R56	A4
C16	A1	C185	A6	R57	A5
C17	A2	C186	A6	R58	A5
C18	A2	CE8	C1	R59	A5
C19	A2	CE9	C2	R60	B5
C20	A2	CE10	E2	R61	D3
C21	A2	CE11	E2	R62	D3
C22	A2	CE12	A2	R63	D2
C23	A3	CE13	A2	R64	A6
C24	A3	CE14	A2	R65	A6
C25	A3	CE15	A1	R66	D3
C26	A3	CE16	A3	R67	A6
C27	A3	CE17	B5	R68	A6
C28	A3	CE18	D2	R69	A6
C29	A3	R2	A1	R70	A6
C30	A3	R3	A1	R116	A1
C31	A3	R4	A1	R118	A1
C32	A3	R5	B1	R211	A1
C33	A3	R6	A1	R212	A1
C34	A3	R7	A1	R225	B5
C35	A3	R8	A2	R226	B5
C36	A3	R9	B1	R227	B5
C37	A4	R10	B1	R228	B5
C38	A5	R11	B1	R229	B5
C39	A4	R12	B1	R230	B5
C40	A4	R13	C1	L6	C1
C41	A5	R14	C1	L7	C1
C42	B4	R15	C1	L8	C1
C43	B5	R16	D1	L9	A2
C44	D4	R17	D1	L10	C2
C45	D4	R18	D1	L11	C5
C46	D4	R19	D2	L12	B5
C47	D5	R20	D2	L13	A6
C48	D5	R21	D1	L14	A6
C49	E3	R22	D1	L15	A6
C50	E3	R23	D1	L16	A6
C51	E3	R24	D1	L17	A6
C52	D4	R25	D2	L18	A6
C53	D4	R26	D2	L29	A6
C54	D4	R27	D2	Q1	B1
C55	D4	R28	D2	Q2	B1
C56	D4	R29	D2	Q3	B1
C57	D5	R30	D2	Q4	C1
C58	D5	R31	D2	Q5	D1
C59	B2	R32	D2	Q6	E4
C60	B2	R33	D2	Q7	E4
C61	B2	R34	D1	Q8	E4
C62	B2	R35	D2	Q9	E4
C63	B2	R36	D2	U2	C3
C64	B2	R37	E1	U3	D1
C65	B2	R38	E2	U4	A4
C66	C2	R39	E3	U5	A6
		R40	E4	Y1	A4

LED1:PCON	LED1:PCON
+P3V3	+P3V3
+12V	+12V
-5V	-5V
AVCC	AVCC
+5V	+5V
GND	GND [1,2,3,4,5]
V18	V18 [1]
DV33	DV33 [1]
URST#	URST# [1]
MO_VCC	MO_VCC [1]
RPV33	RPV33 [1]
LD0_AV33	LD0_AV33 [1]
YB_A1	YB_A1 [4]
SCART1	SCART1 [4]
SCART2	SCART2 [4]
AD_211	AD_211 [3]
AD_B_71	AD_B_71 [3]
PR_R8	PR_R8 [3]
PR_R9	PR_R9 [3]
PR_C8	PR_C8 [3]
PR_C9	PR_C9 [3]
PR_C10	PR_C10 [3]
PR_C11	PR_C11 [3]
PR_C12	PR_C12 [3]
PR_C13	PR_C13 [3]
PR_C14	PR_C14 [3]
PR_C15	PR_C15 [3]
PR_C16	PR_C16 [3]
PR_C17	PR_C17 [3]
PR_C18	PR_C18 [3]
PR_C19	PR_C19 [3]
PR_C20	PR_C20 [3]
PR_C21	PR_C21 [3]
PR_C22	PR_C22 [3]
PR_C23	PR_C23 [3]
PR_C24	PR_C24 [3]
PR_C25	PR_C25 [3]
PR_C26	PR_C26 [3]
PR_C27	PR_C27 [3]
PR_C28	PR_C28 [3]
PR_C29	PR_C29 [3]
PR_C30	PR_C30 [3]
PR_C31	PR_C31 [3]
PR_C32	PR_C32 [3]
PR_C33	PR_C33 [3]
PR_C34	PR_C34 [3]
PR_C35	PR_C35 [3]
PR_C36	PR_C36 [3]
PR_C37	PR_C37 [3]
PR_C38	PR_C38 [3]
PR_C39	PR_C39 [3]
PR_C40	PR_C40 [3]
PR_C41	PR_C41 [3]
PR_C42	PR_C42 [3]
PR_C43	PR_C43 [3]
PR_C44	PR_C44 [3]
PR_C45	PR_C45 [3]
PR_C46	PR_C46 [3]
PR_C47	PR_C47 [3]
PR_C48	PR_C48 [3]
PR_C49	PR_C49 [3]
PR_C50	PR_C50 [3]
PR_C51	PR_C51 [3]
PR_C52	PR_C52 [3]
PR_C53	PR_C53 [3]
PR_C54	PR_C54 [3]
PR_C55	PR_C55 [3]
PR_C56	PR_C56 [3]
PR_C57	PR_C57 [3]
PR_C58	PR_C58 [3]
PR_C59	PR_C59 [3]
PR_C60	PR_C60 [3]
PR_C61	PR_C61 [3]
PR_C62	PR_C62 [3]
PR_C63	PR_C63 [3]
PR_C64	PR_C64 [3]
PR_C65	PR_C65 [3]
PR_C66	PR_C66 [3]
PR_C67	PR_C67 [3]
PR_C68	PR_C68 [3]
PR_C69	PR_C69 [3]
PR_C70	PR_C70 [3]
PR_C71	PR_C71 [3]
PR_C72	PR_C72 [3]
PR_C73	PR_C73 [3]
PR_C74	PR_C74 [3]
PR_C75	PR_C75 [3]
PR_C76	PR_C76 [3]
PR_C77	PR_C77 [3]
PR_C78	PR_C78 [3]
PR_C79	PR_C79 [3]
PR_C80	PR_C80 [3]
PR_C81	PR_C81 [3]
PR_C82	PR_C82 [3]
PR_C83	PR_C83 [3]
PR_C84	PR_C84 [3]
PR_C85	PR_C85 [3]
PR_C86	PR_C86 [3]
PR_C87	PR_C87 [3]
PR_C88	PR_C88 [3]
PR_C89	PR_C89 [3]
PR_C90	PR_C90 [3]
PR_C91	PR_C91 [3]
PR_C92	PR_C92 [3]
PR_C93	PR_C93 [3]
PR_C94	PR_C94 [3]
PR_C95	PR_C95 [3]
PR_C96	PR_C96 [3]
PR_C97	PR_C97 [3]
PR_C98	PR_C98 [3]
PR_C99	PR_C99 [3]
PR_C100	PR_C100 [3]

	Open	Stuff
AM5668S	R21, R22, R24, R34, R38, R26, R32, R35, R31, R25, R39, R40, R41, R42, R43, R44, R45, R46, C73, C76, C78, C79, Q7, Q8, Q9, Q6	R23, R29, R33, R30, R36 (0), R28, R27, R47 (27K), R48 (22K), R50 (20K)
BA5954	R23, R29, R33, R30	R21, R22, R24, R36 (20K), R34, R38, R26, R32, R35, R31, R25, R47 (20K), R39, R40, R41, R42, R43, R44, R45, R46, C73, C76, C78, C79, Q7, Q8, Q9, Q6, R48 (18K), R50 (10K)

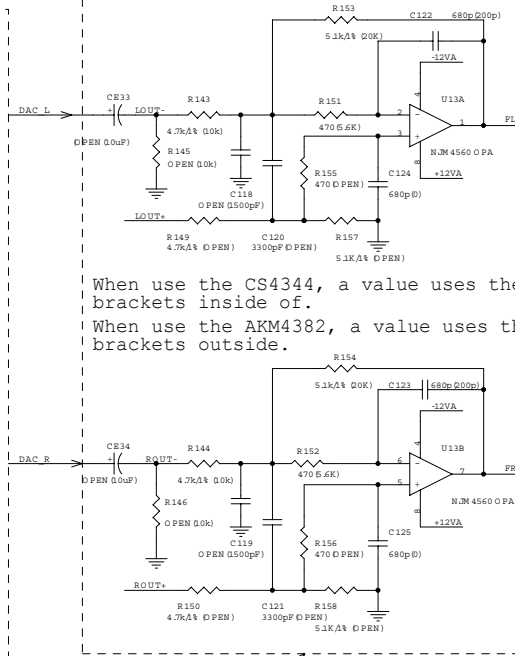
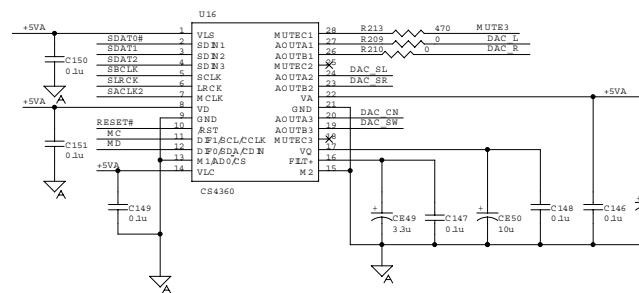
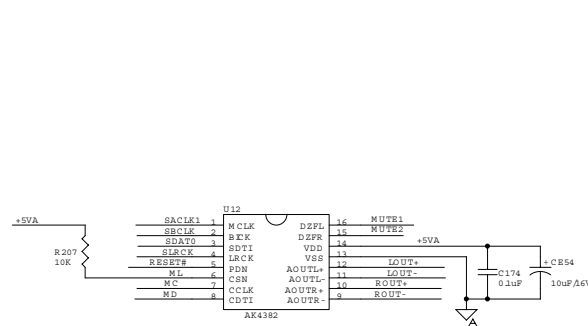
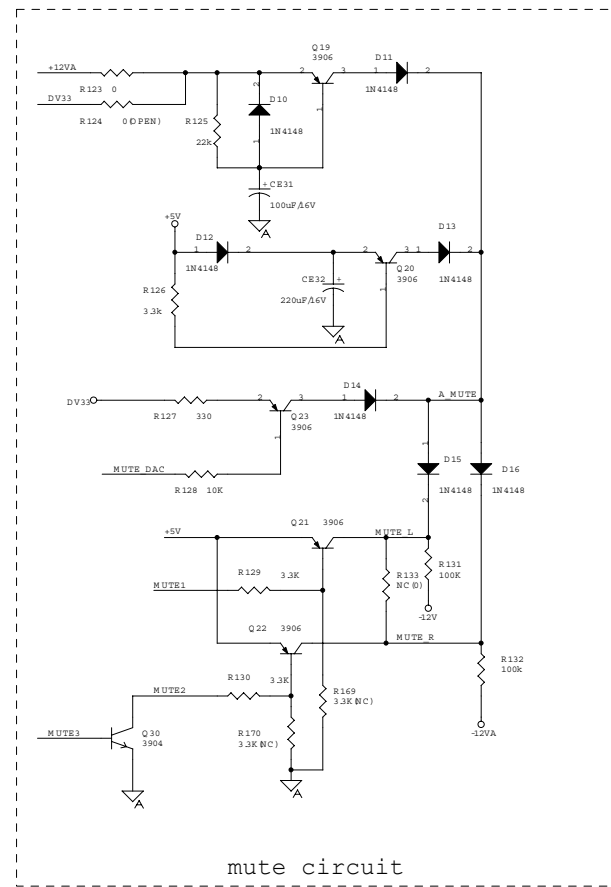
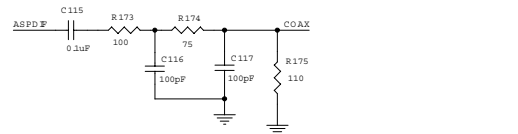
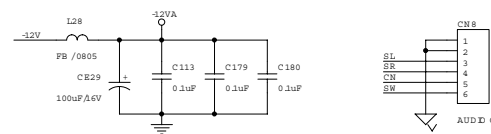
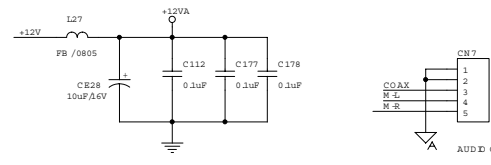
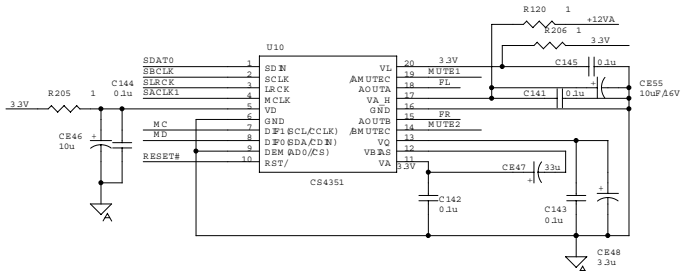
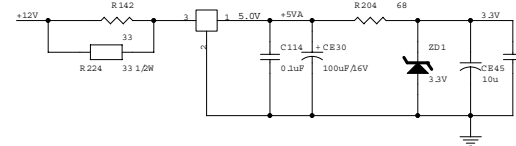
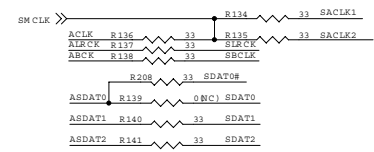
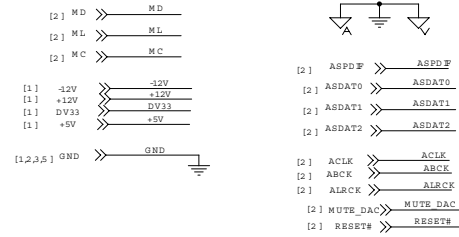
3. SDRAM, FLASH, VIDE FILTER & SCART OUT PUT

For DVP3000K (B005K)/93, DVP5500S & DVP5505S

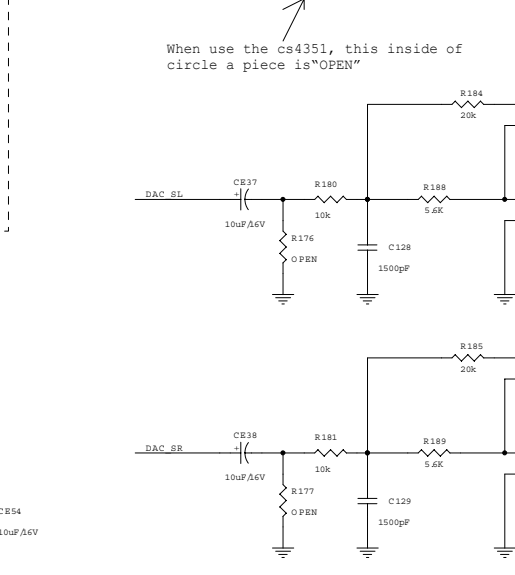


4. AUDD FILTER & OUT PUT

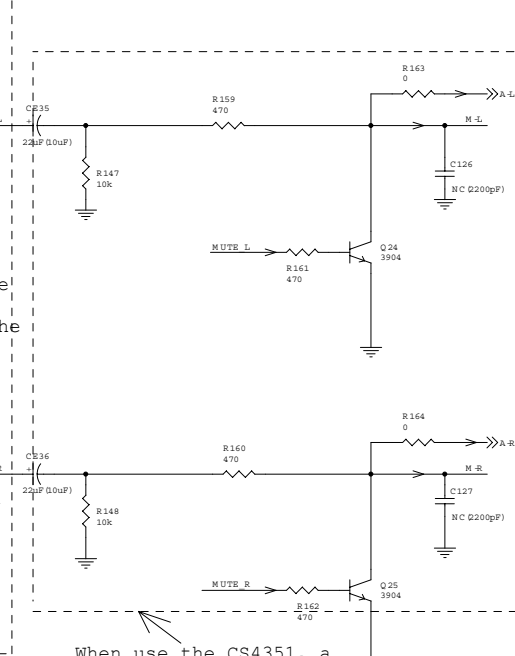
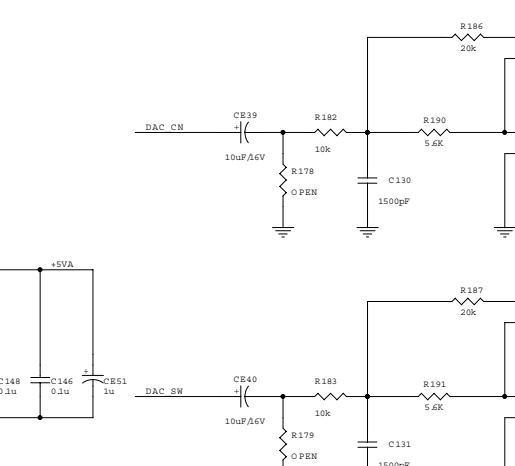
For DVP3000K (3005K)/B3, DVP5500S & DVP5505S



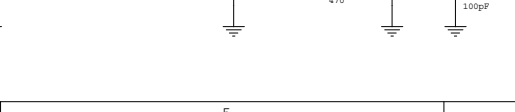
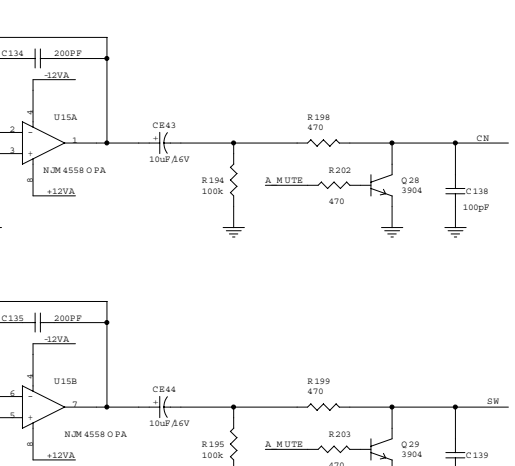
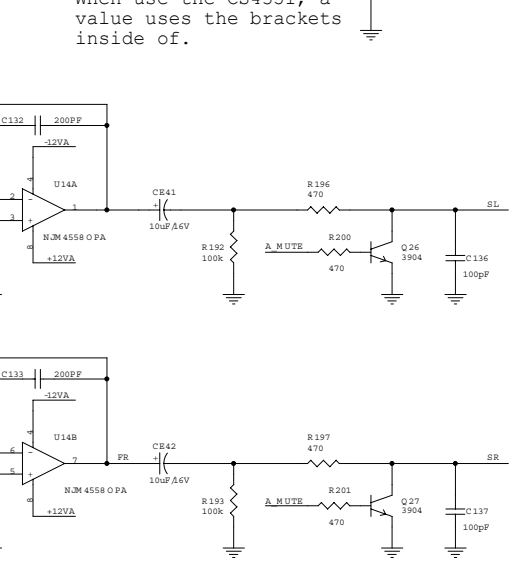
When use the CS4344, a value uses the brackets inside of.
When use the AKM4382, a value uses the brackets outside.



When use the CS4351, this inside of circle a piece is "OPEN"

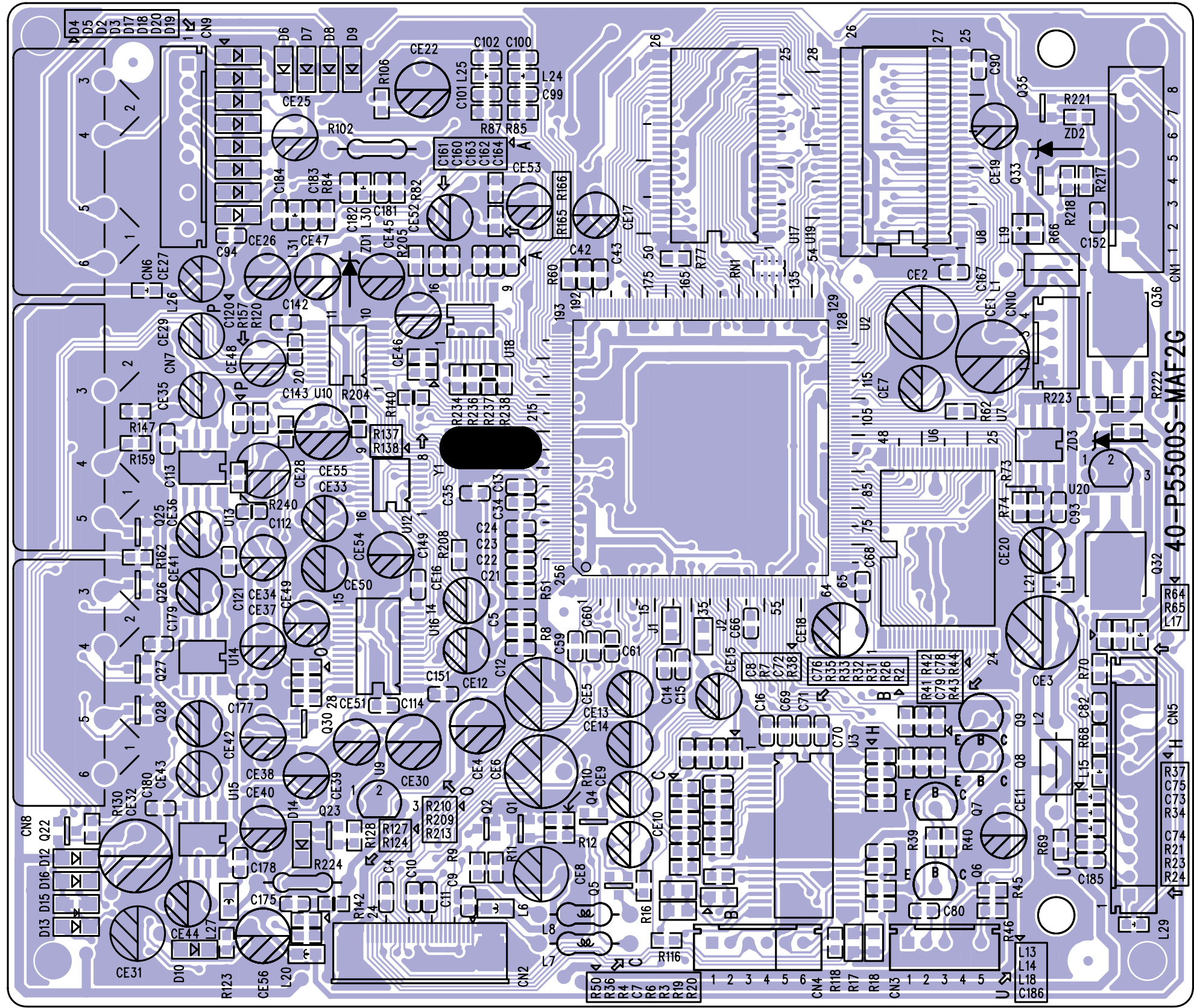


When use the CS4351, a value uses the brackets inside of.

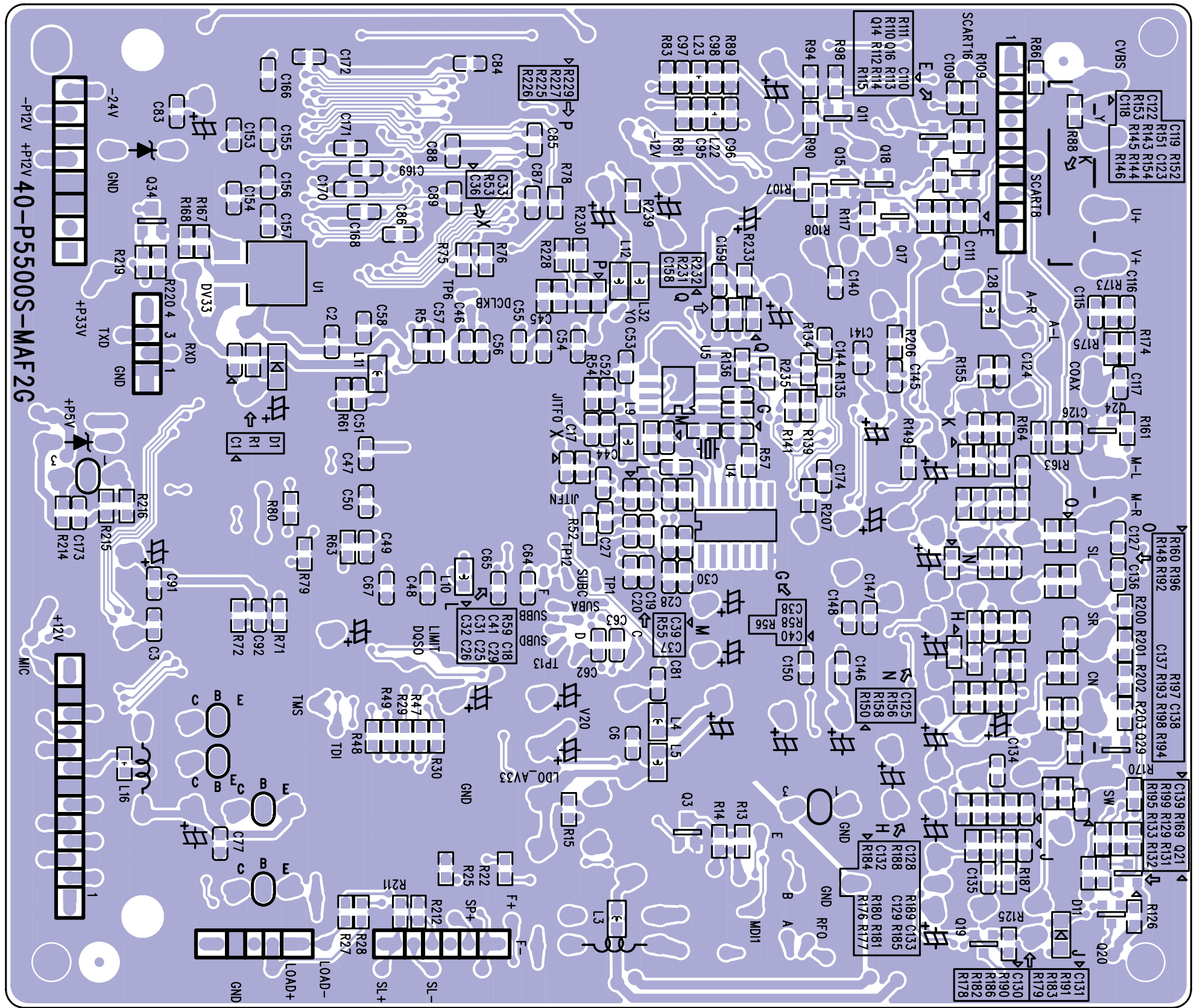


R120	C3	R205	C1	L27	D1
R123	A2	R206	C2	L28	E1
R124	A2	R207	D2	Q19	A3
R125	A2	R208	B1	Q20	A3
R126	A2	R209	E3	Q21	B3
R127	B2	R210	E3	Q22	B3
R128	B2	R213	E3	Q23	B3
R129	B2	R224	C1	Q24	A5
R130	B2	C112	D1	Q25	B5
R131	B3	C113	E1	Q26	C5
R132	B3	C114	C1	Q27	D5
R133	B3	C115	E1	Q28	D5
R134	B1	C116	E1	Q29	E5
R135	B1	C117	E1	Q30	B5
R136	B1	C118	A4	D10	A3
R137	B1	C119	B4	D11	A3
R138	B1	C120	A4	D12	A2
R139	B1	C121	B4	D13	A3
R140	B1	C122	A4	D14	B3
R141	B1	C123	B4	D15	B3
R142	C1	C126	A6	D16	B3
R143	A4	C127	B6	ZD1	C1
R144	B4	C128	C4	U9	C1
R145	A4	C129	D4	U10	C1
R146	B4	C130	D4	U12	D3
R147	A5	C131	E2	U13	A4
R148	B5	C132	C5	U13	A4
R149	A4	C133	C5	U14	C5
R150	B4	C134	D5	U15	D5
R151	A4	C135	E5	U16	E3
R152	B4	C136	C6	U20	C3
R153	A4	C137	D6	CN7	D2
R154	B4	C138	D6	CN8	E2
R155	A4	C139	E5		
R156	B4	C140	C2		
R157	A4	C141	C2		
R158	B4	C142	D2		
R159	A5	C143	D2		
R160	B5	C144	C1		
R161	A5	C145	C3		
R162	B5	C146	E3		
R163	A6	C147	E3		
R164	B6	C148	E3		
R169	C3	C149	E2		
R170	C3	C150	E2		
R173	E1	C151	E2		
R174	E1	C174	D3		
R175	E1	C177	D1		
R176	C4	C178	D1		
R177	D4	C179	E1		
R178	D4	C180	E1		
R179	E4	C182	D1		
R180	C4	C189	E1		
R181	D4	C190	C1		
R182	D4	C191	A3		
R183	E4	C192	A3		
R184	C4	C193	A4		
R185	C4	C194	B4		
R186	D4	C195	A5		
R187	E4	C196	B4		
R188	C4	C197	C4		
R189	D4	C198	D4		
R190	D4	C199	D4		
R191	E4	C200	E4		
R192	C5	C201	C5		
R193	D5	C202	D5		
R194	D5	C203	D5		
R195	E5	C204	E5		
R196	C5	C205	C2		
R197	D5	C206	C1		
R198	D5	C207	D2		
R199	E5	C208	D2		
R200	C5	C209	E3		
R201	D5	C210	E3		
R202	D5	C211	E3		
R203	E5	C212	D3		
R204	C1	C213	C2		

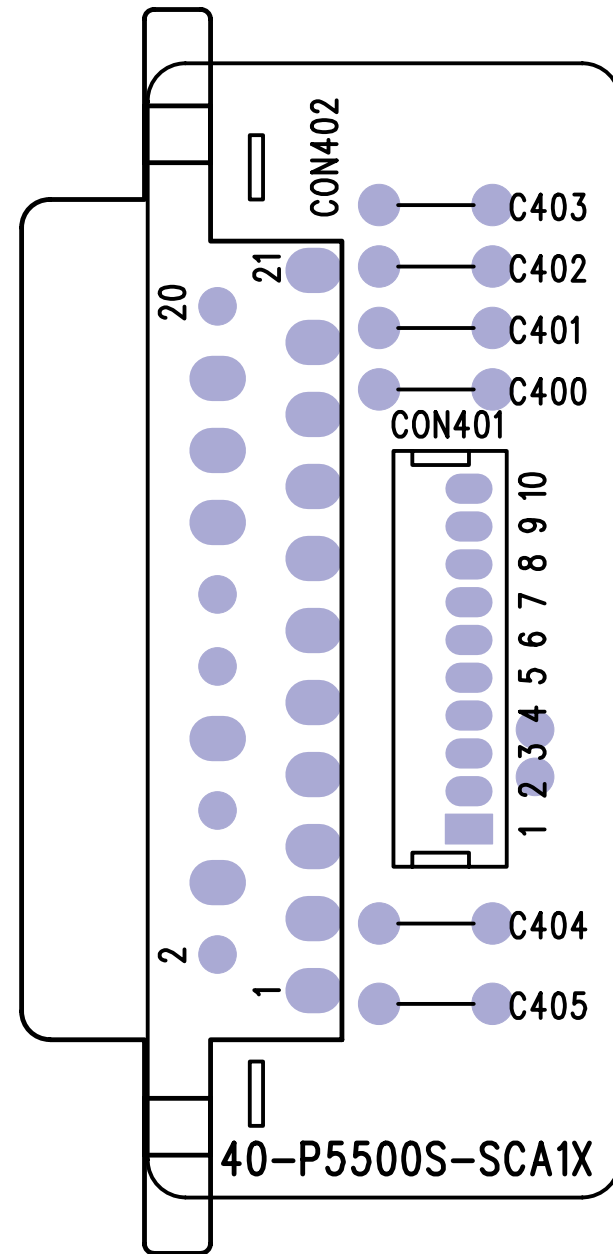
DVP5500S & DVP5505S Mpeg Board Top side



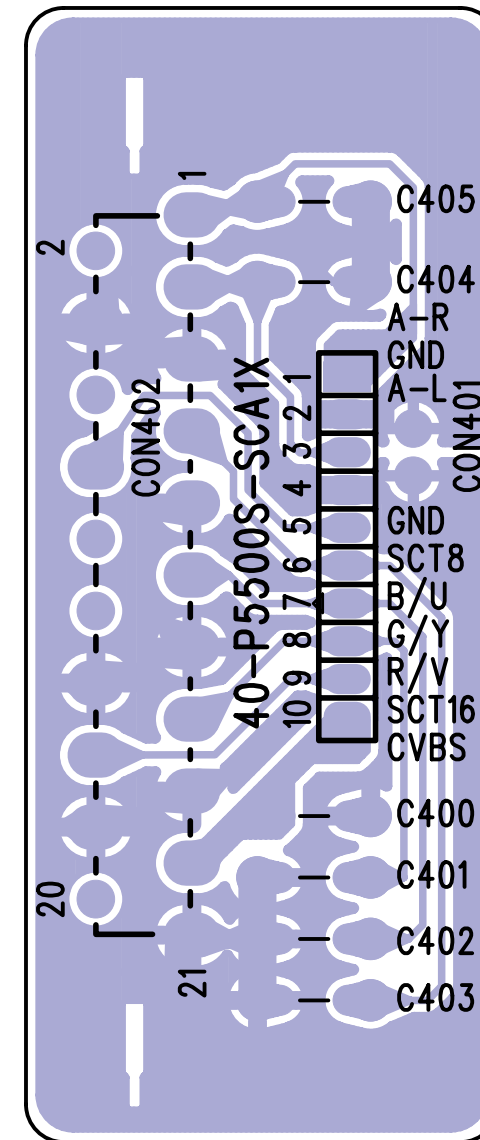
DVP5500S & DVP5505S Mpeg Board Bottom side



DVP5500S & DVP5505S ScartBoard Top side (only for Europe)



DVP5500S & DVP5505S (Europe) ScartBoard Bottom side (only for Europe)



DVP5100(K) Exploded View

